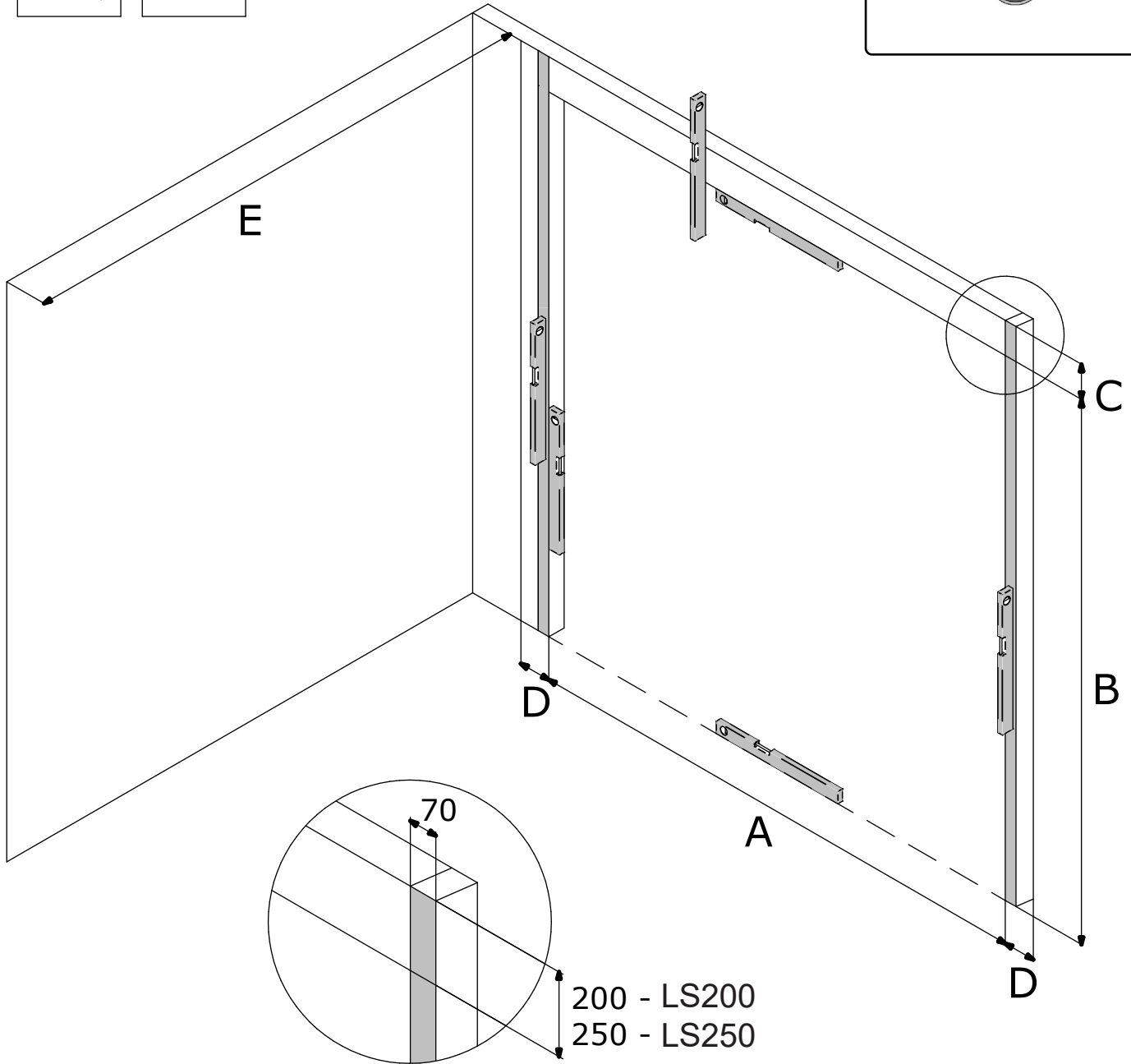
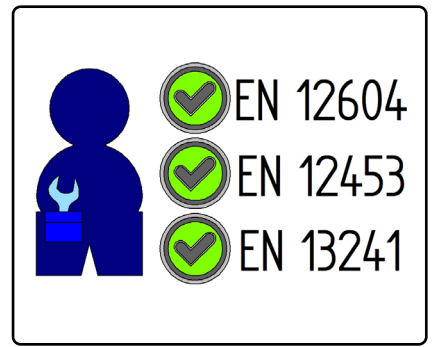
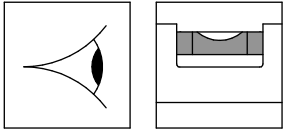


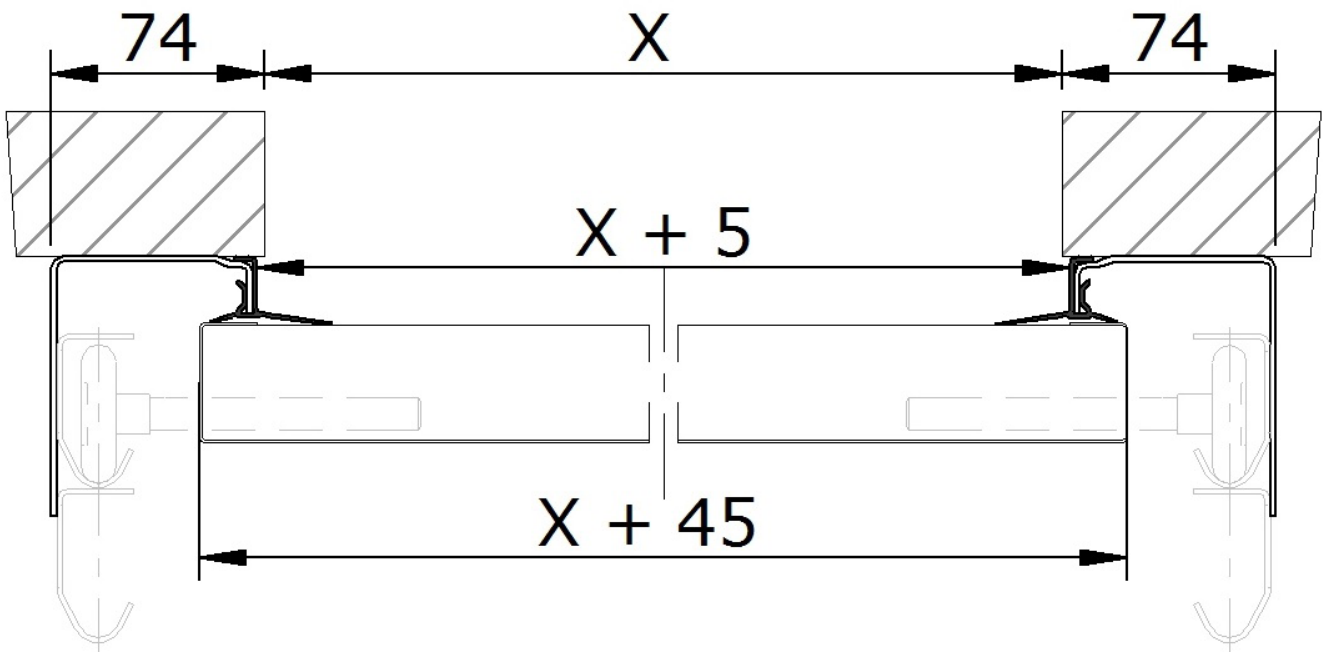
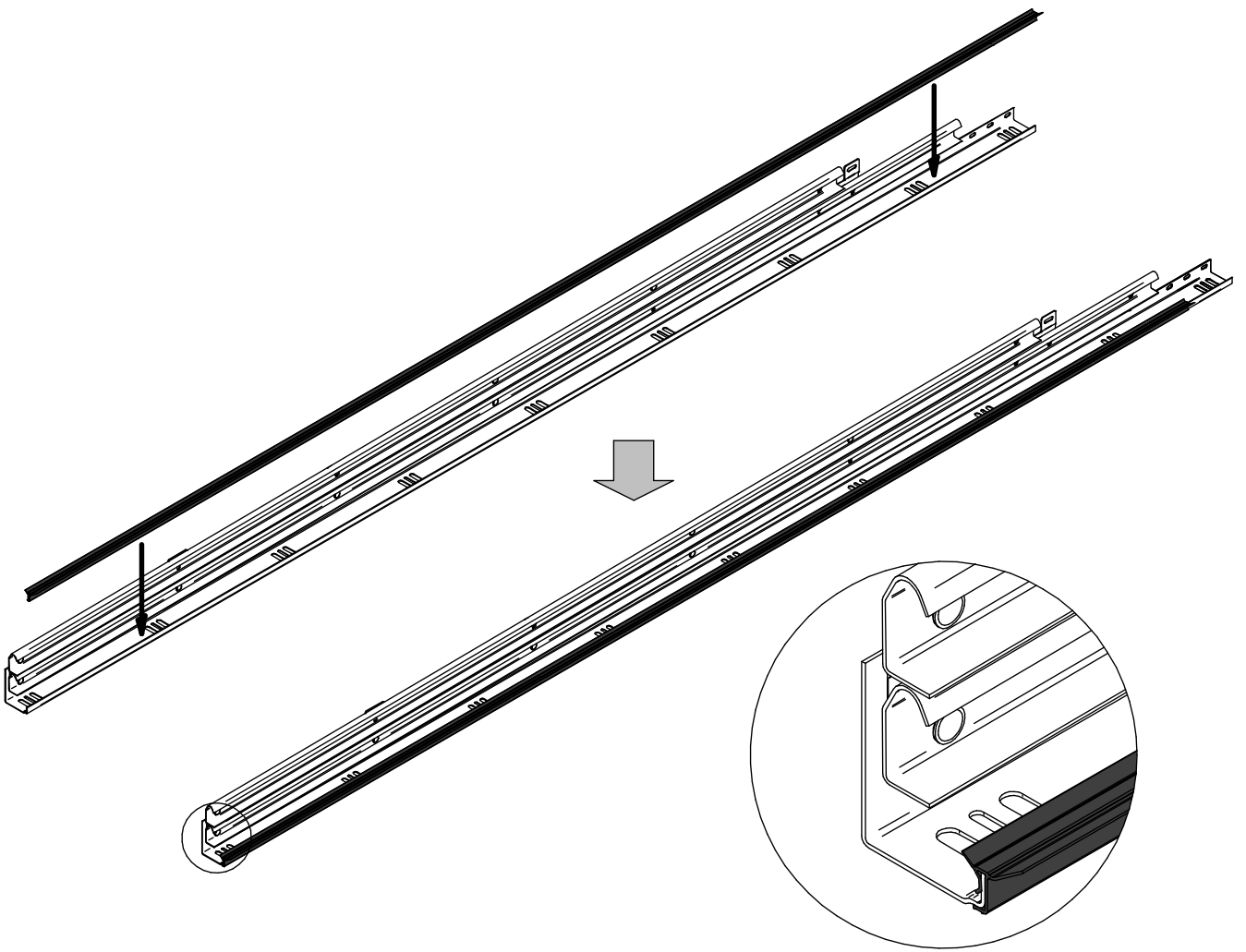
LS200 / LS250

MONTAGEHANDLEIDING - ASSEMBLY MANUAL - MONTAGEANLEITUNG - MANUEL DE MONTAGE

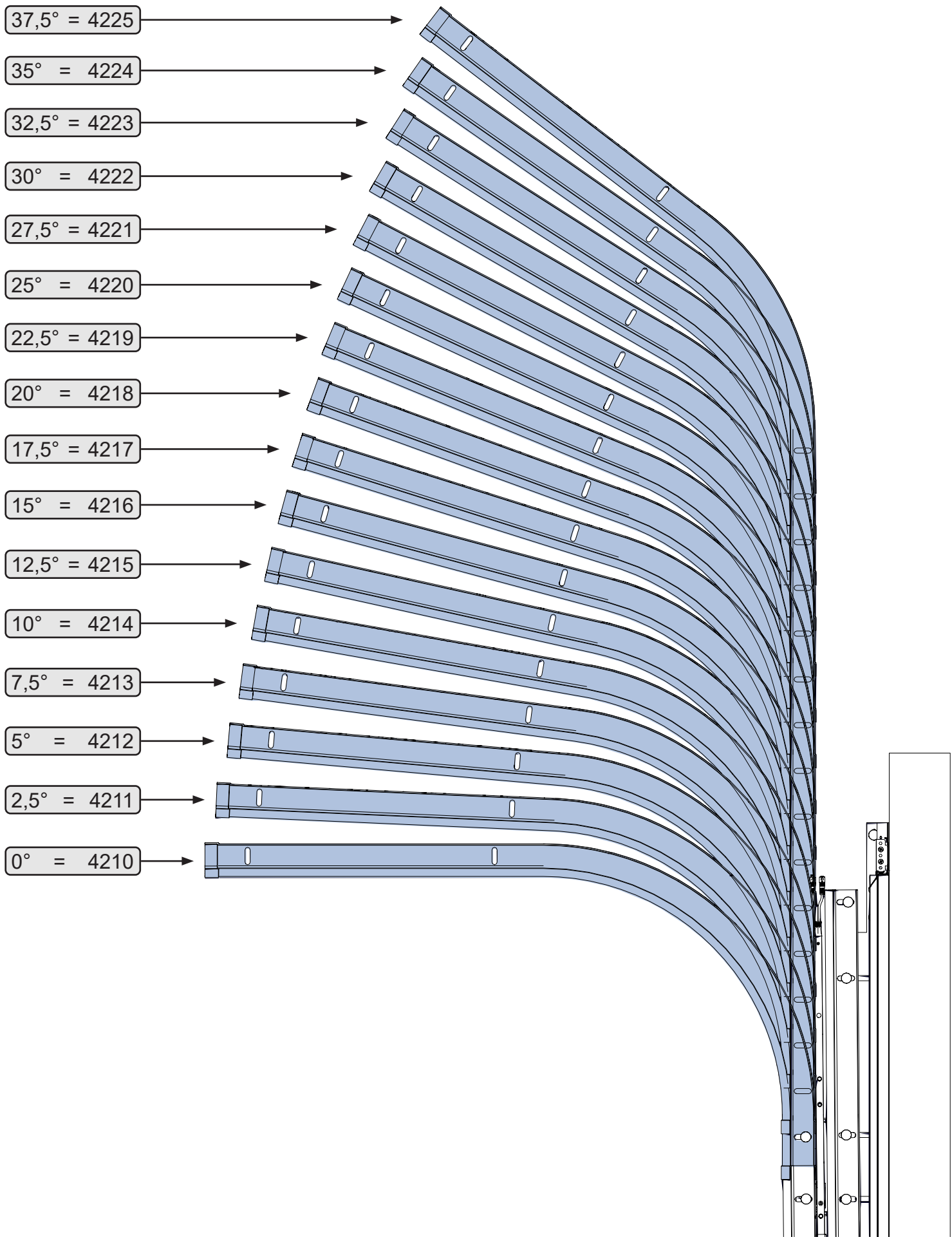


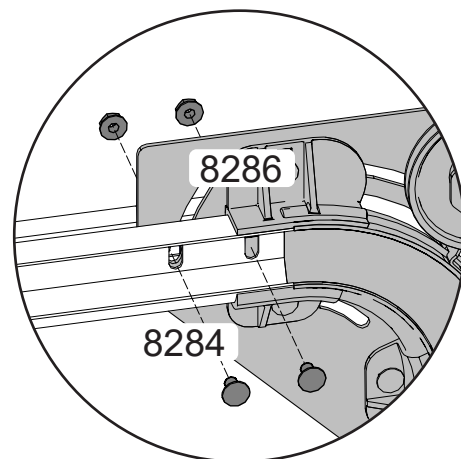
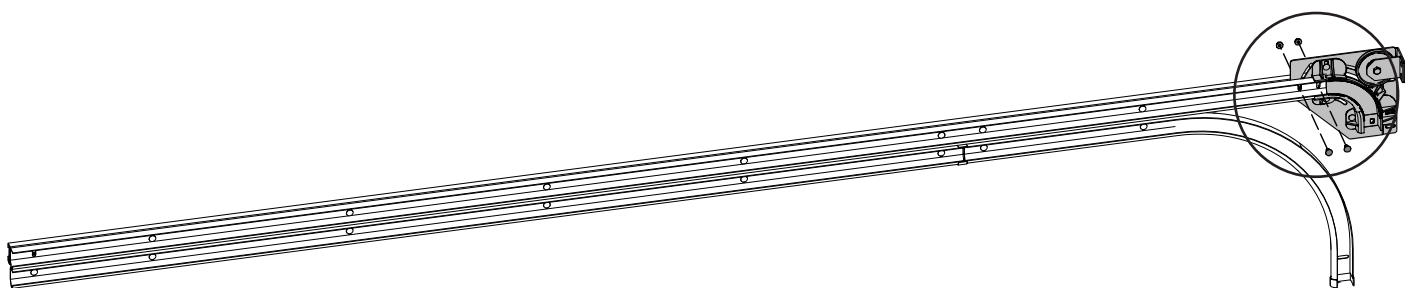
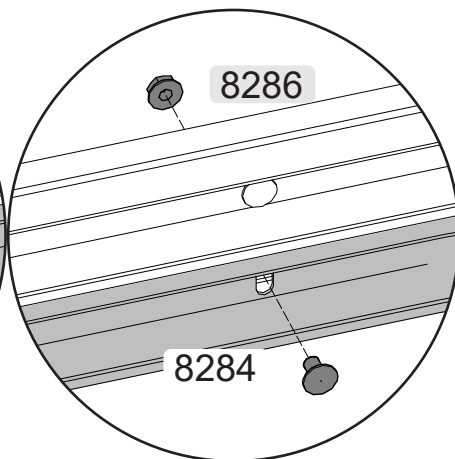
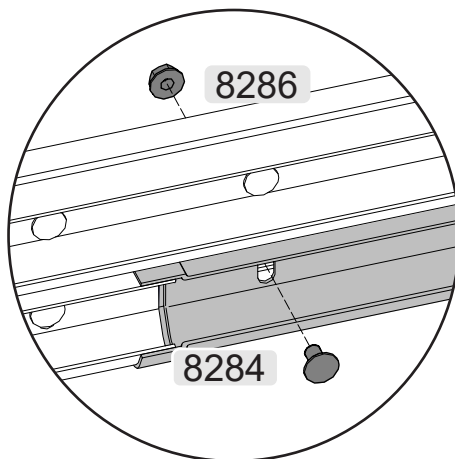
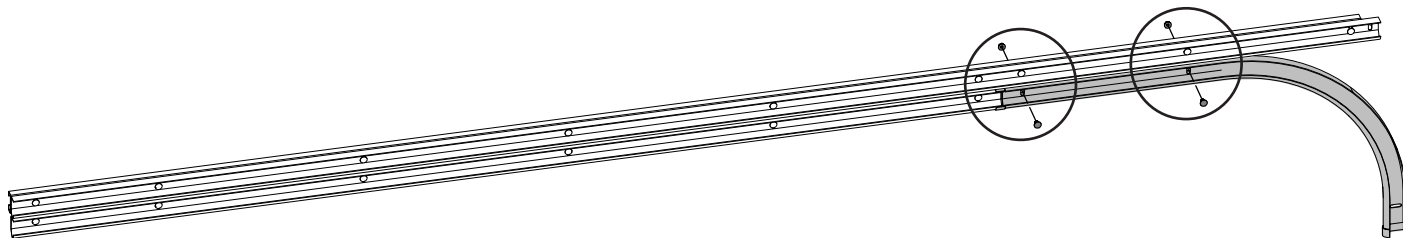


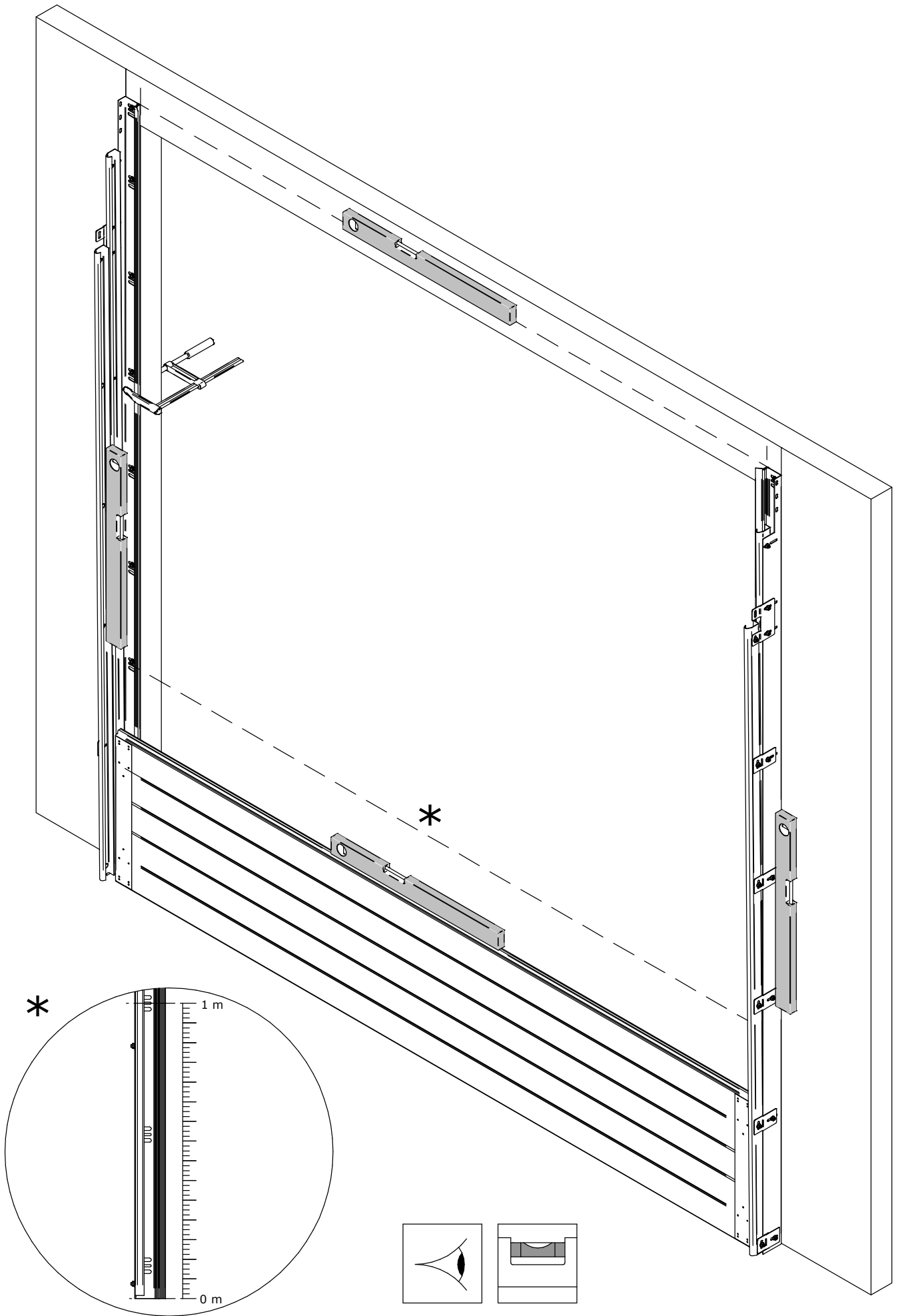
| | A | B | C | D | E |
|-----------|------------------|------------------|---------------------------------|-----------------------|---------------------------|
| | DLW | DLH | FHR | FSR | FMD |
| NL | Dagmaat breedte | Dagmaat hoogte | Vrije bovenruimte | Vrije zijruimte | Inbouwdiepte |
| EN | Day Light Width | Day Light Height | Free Head Room | Free Side Room | Free Mounting Depth |
| DE | Tageslichtbreite | Tageslichthöhe | Sturzfreiraum | Freie Seitenraum | Freie Einbautiefe |
| FR | Largeur de baie | Hauteur de baie | Linéau disponible | Ecoinçons Requis | Recul |
| RO | Lățime Gol | Înălțime Gol | Buiandrug Liber | Spațiul Liber Lateral | Spațiul Liber în Adâncime |
| HU | Szélesség | Magasság | Szabad szemöldök magasság | Szabad hely oldalt | Szabad beépítési mélység |
| SE | Dager bredd | Dager höjd | Minsta erforderligt höjdutrymme | Fritt sidoutrymme | Fritt monterings utrymme |

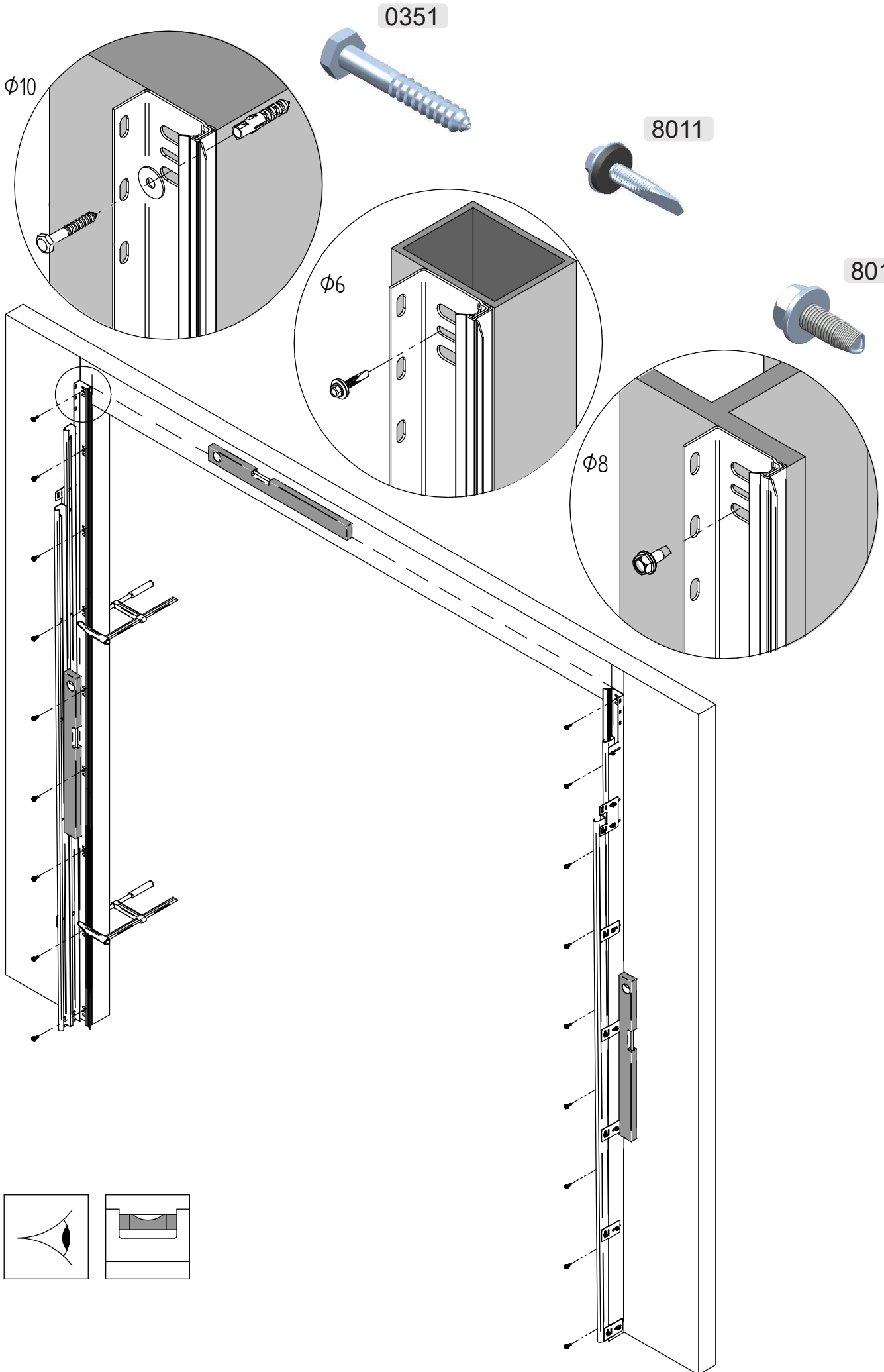


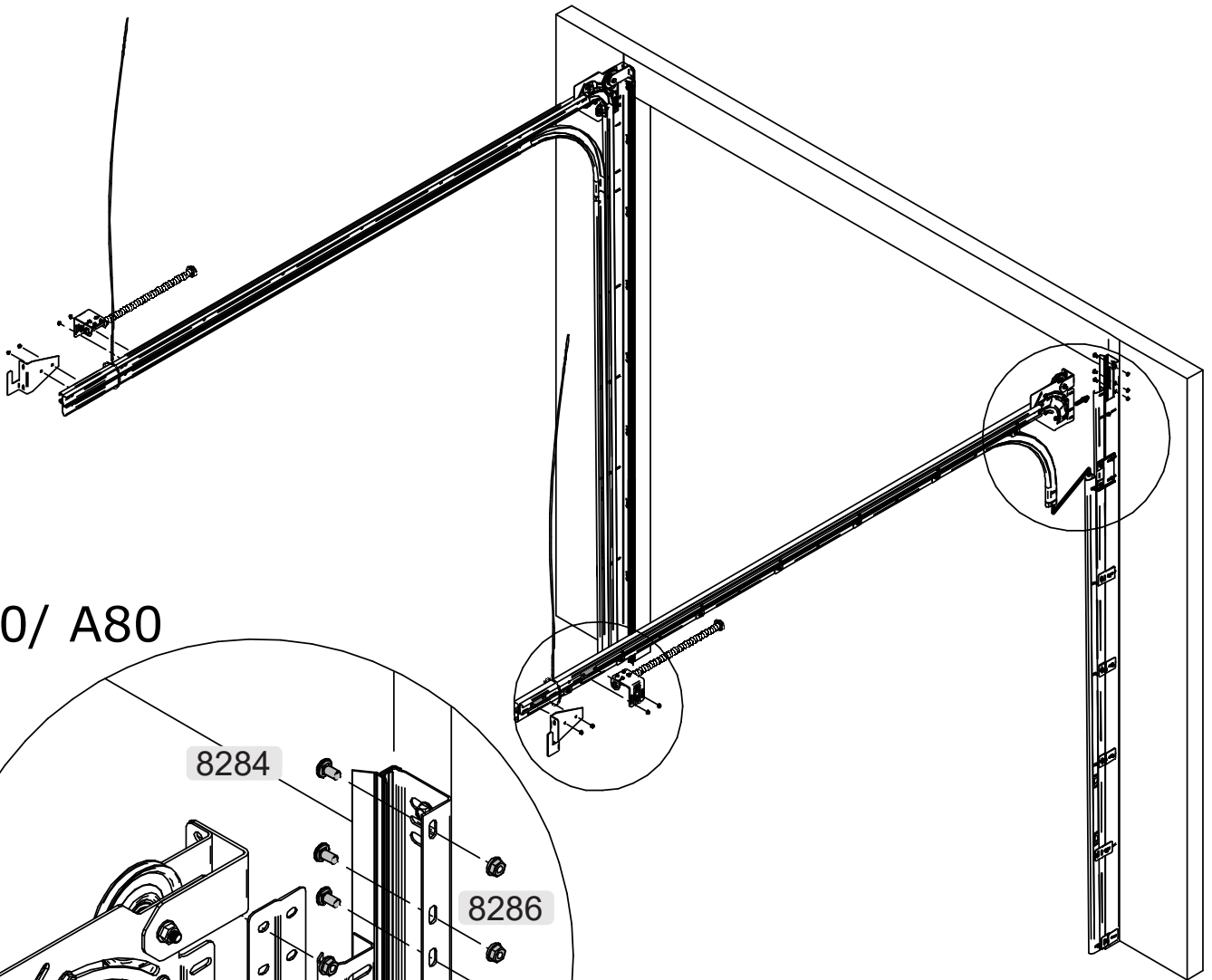
DLV / FTR



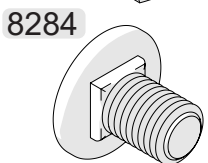
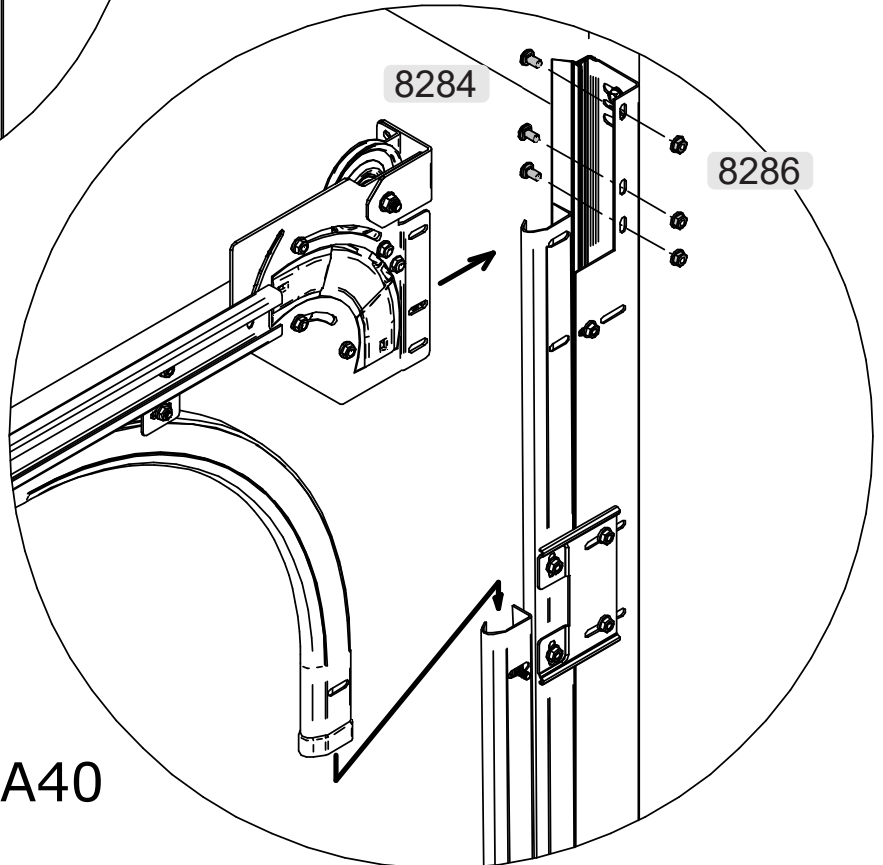
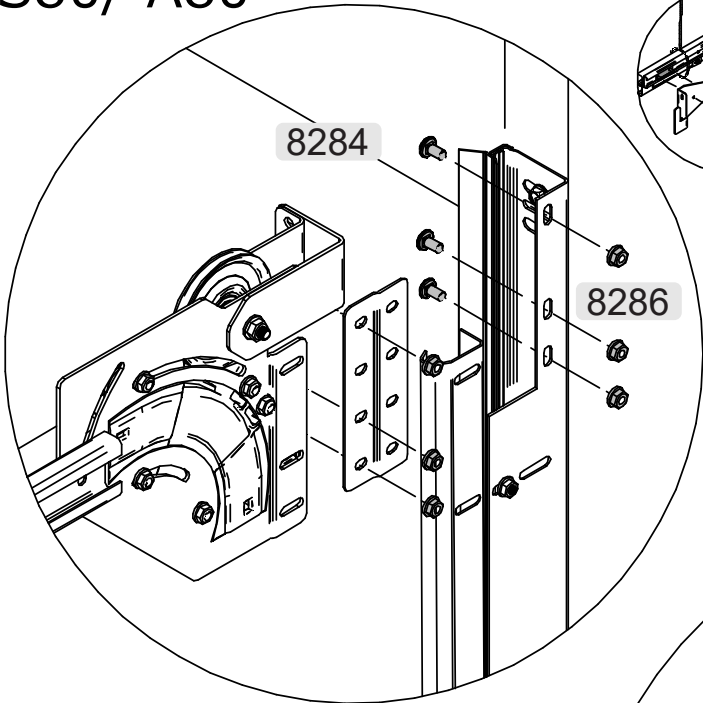






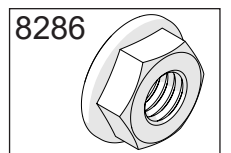
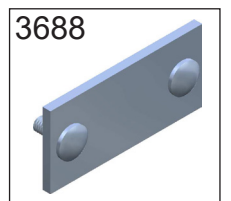
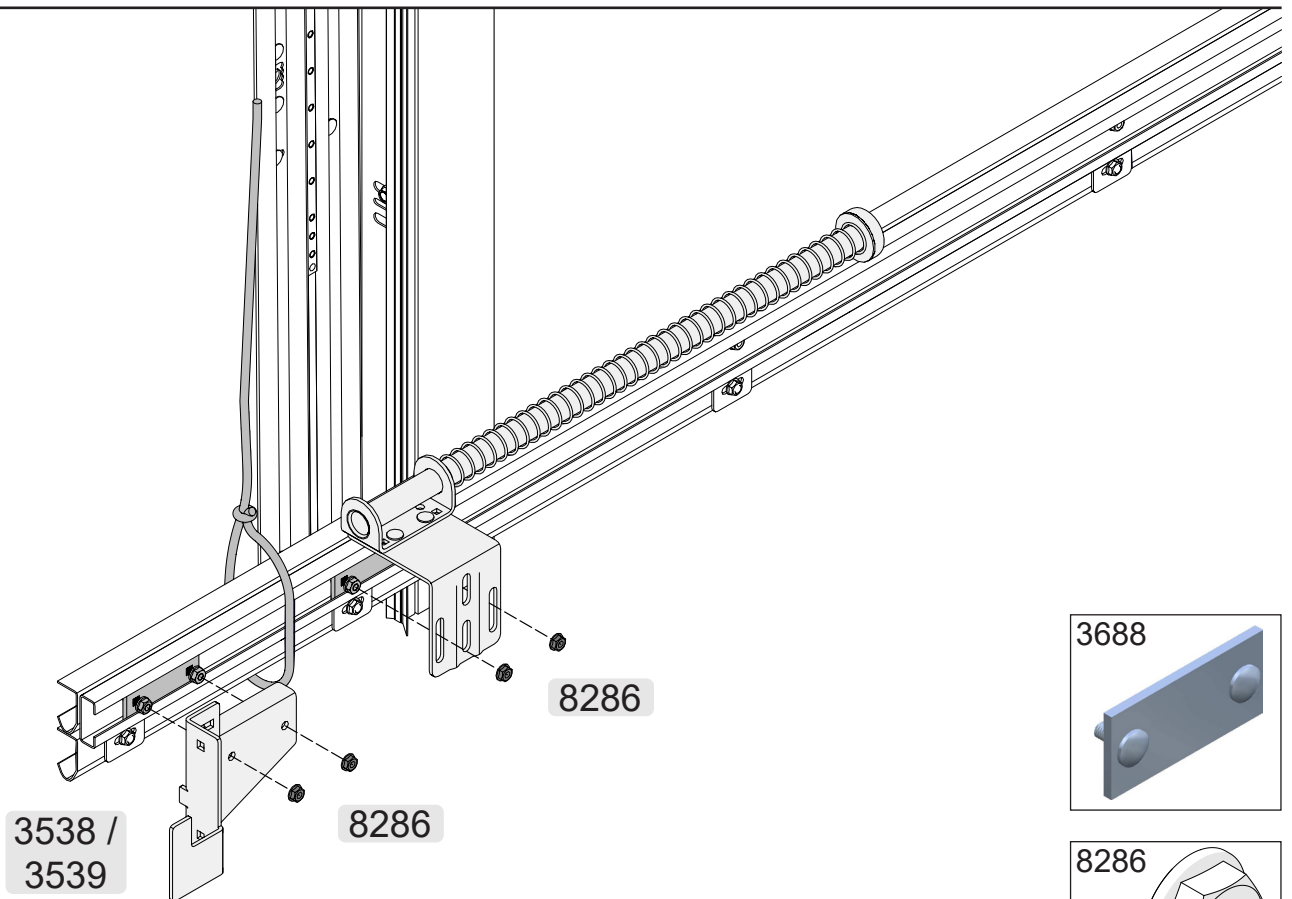
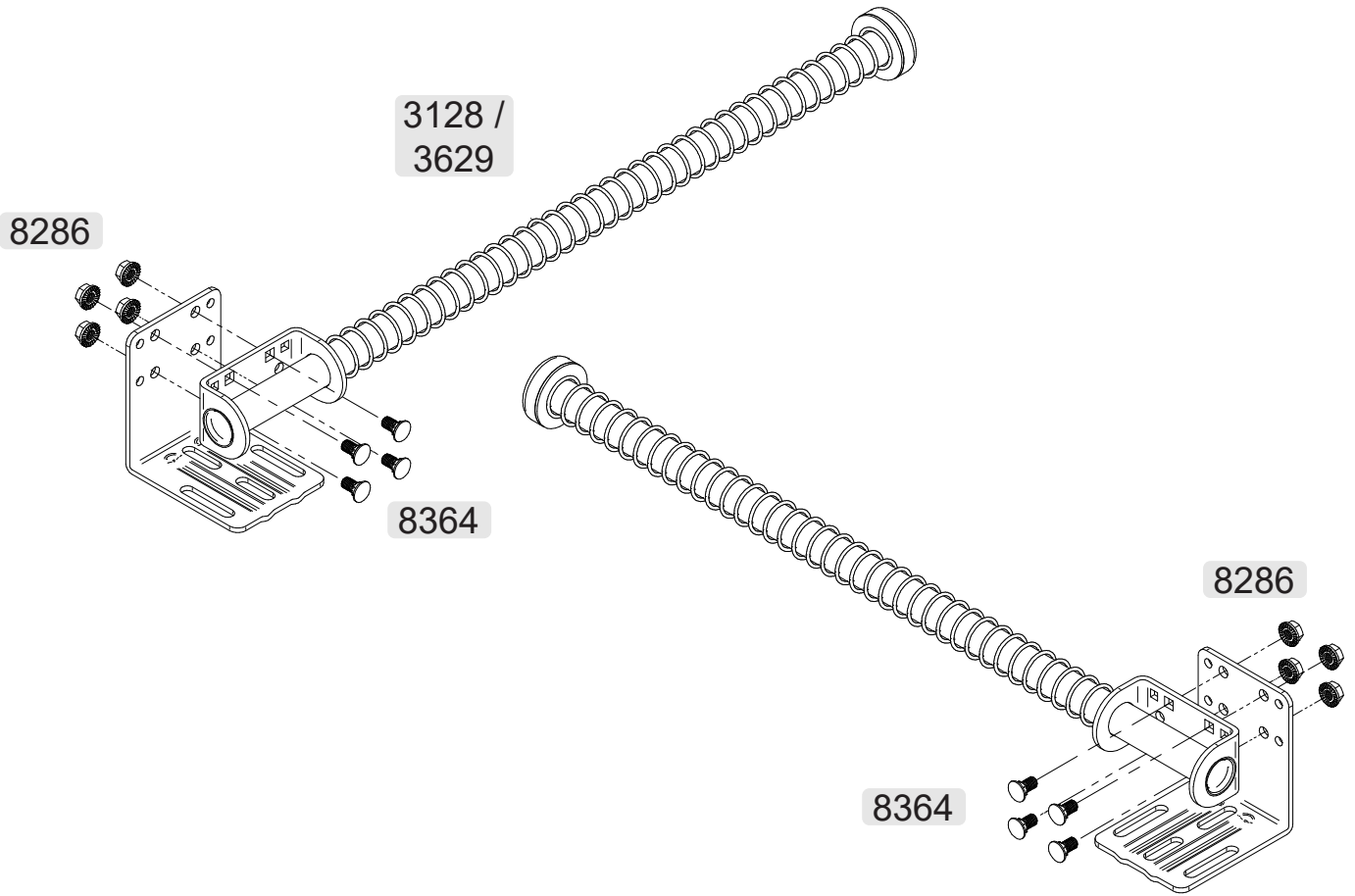


S80/ A80

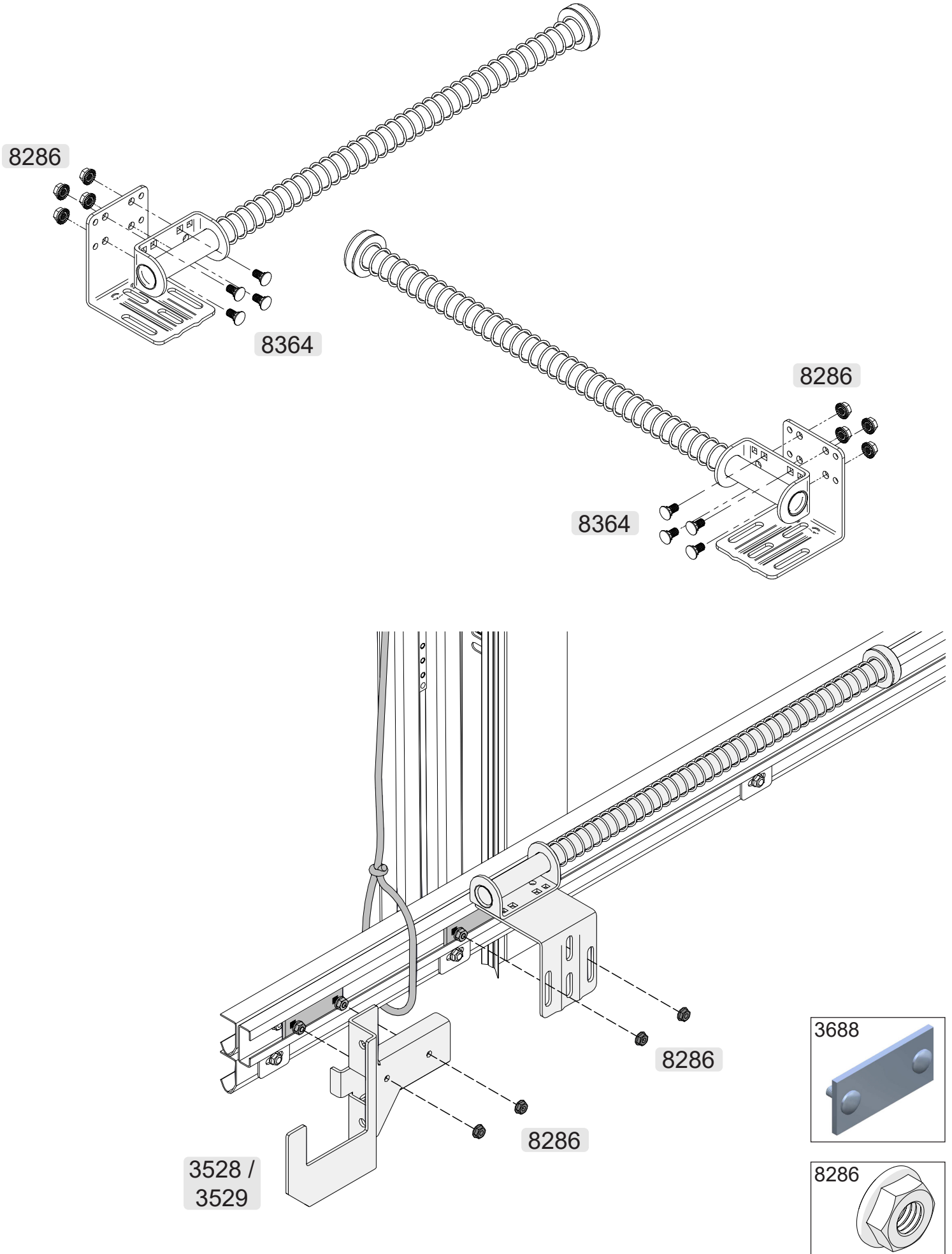


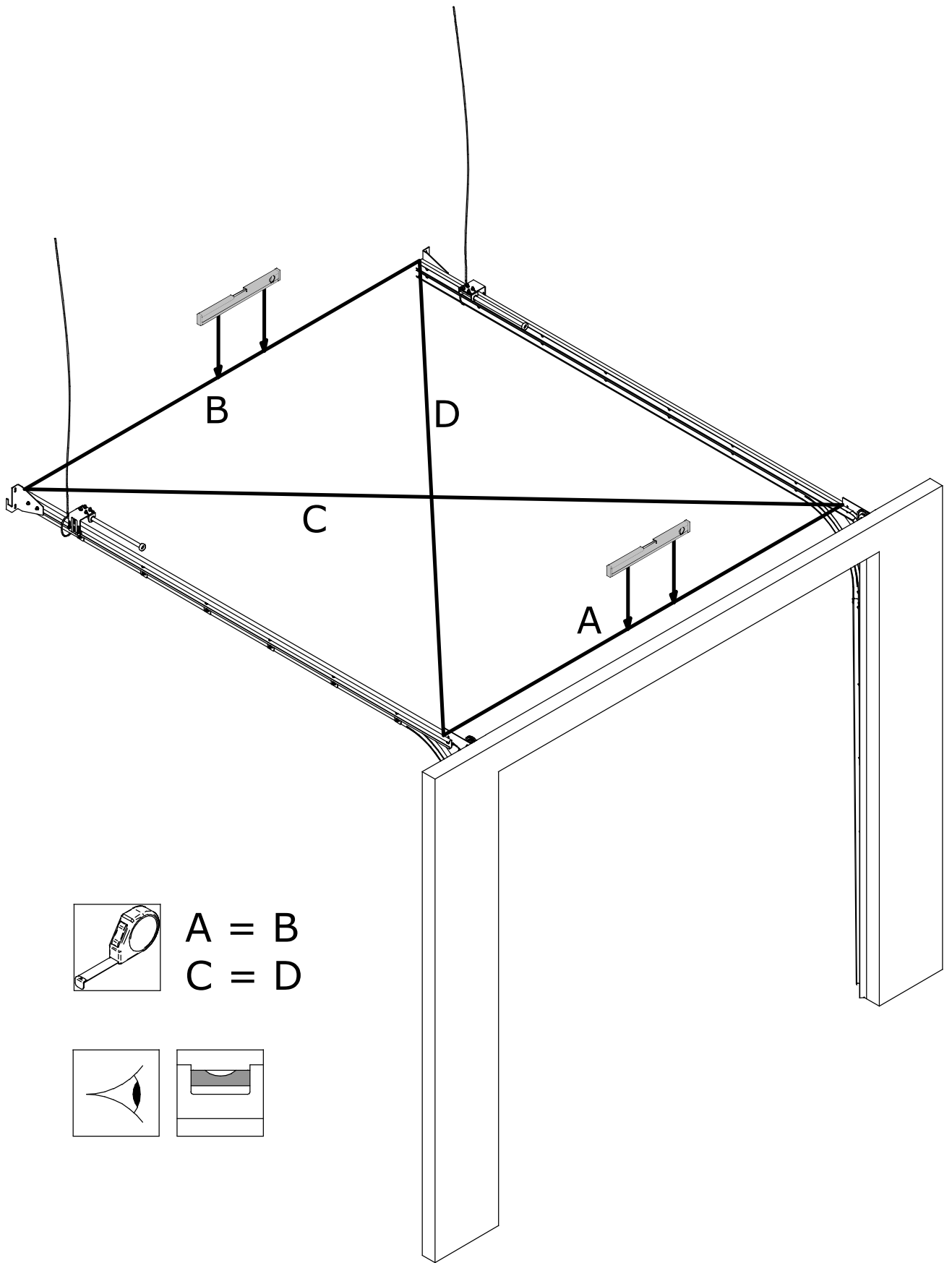
S40/ A40

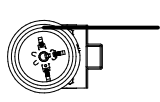
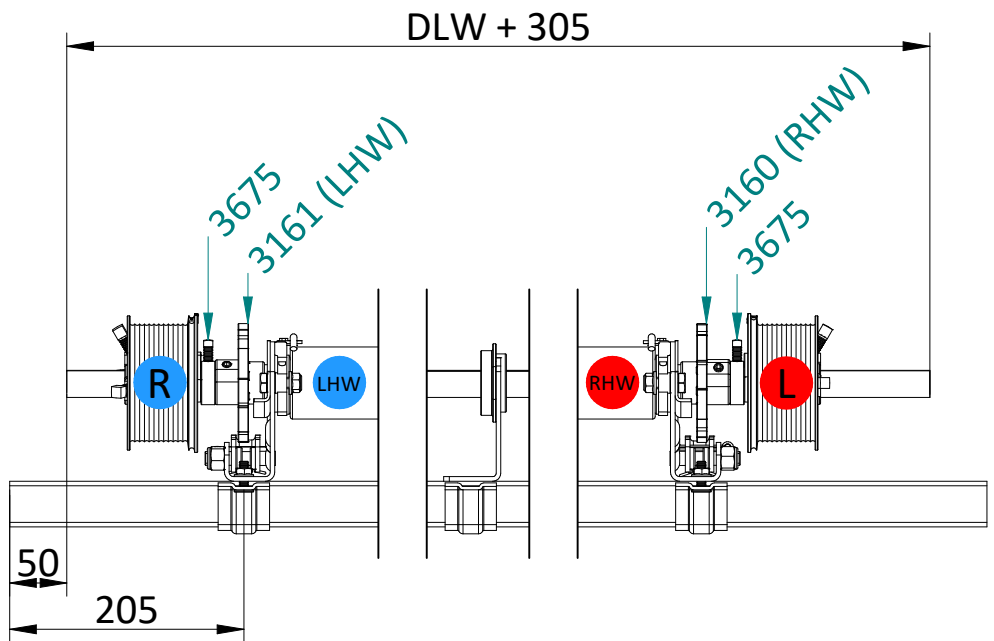
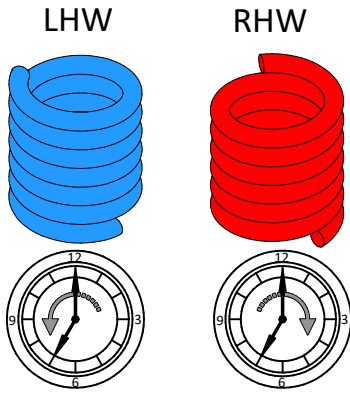
LS200



LS250



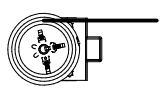
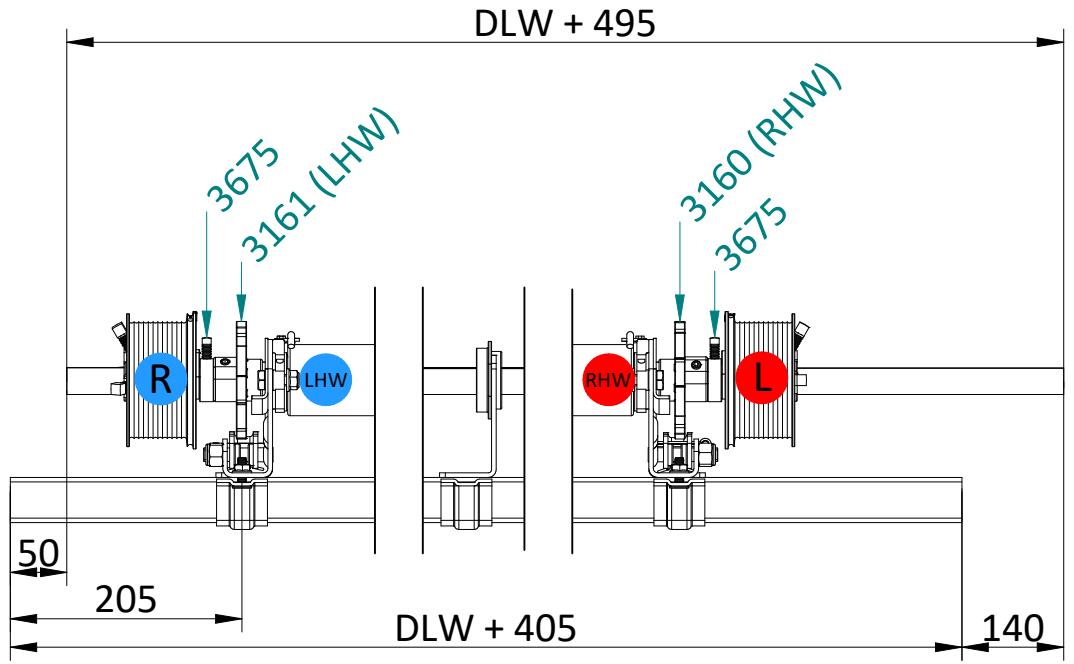
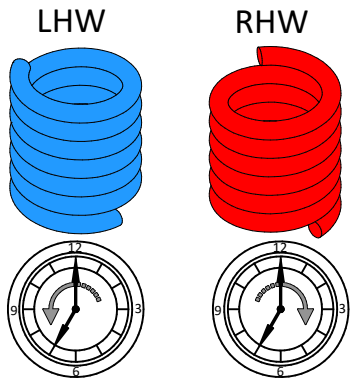




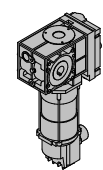
LS200 /
250



HAND
CONTROL

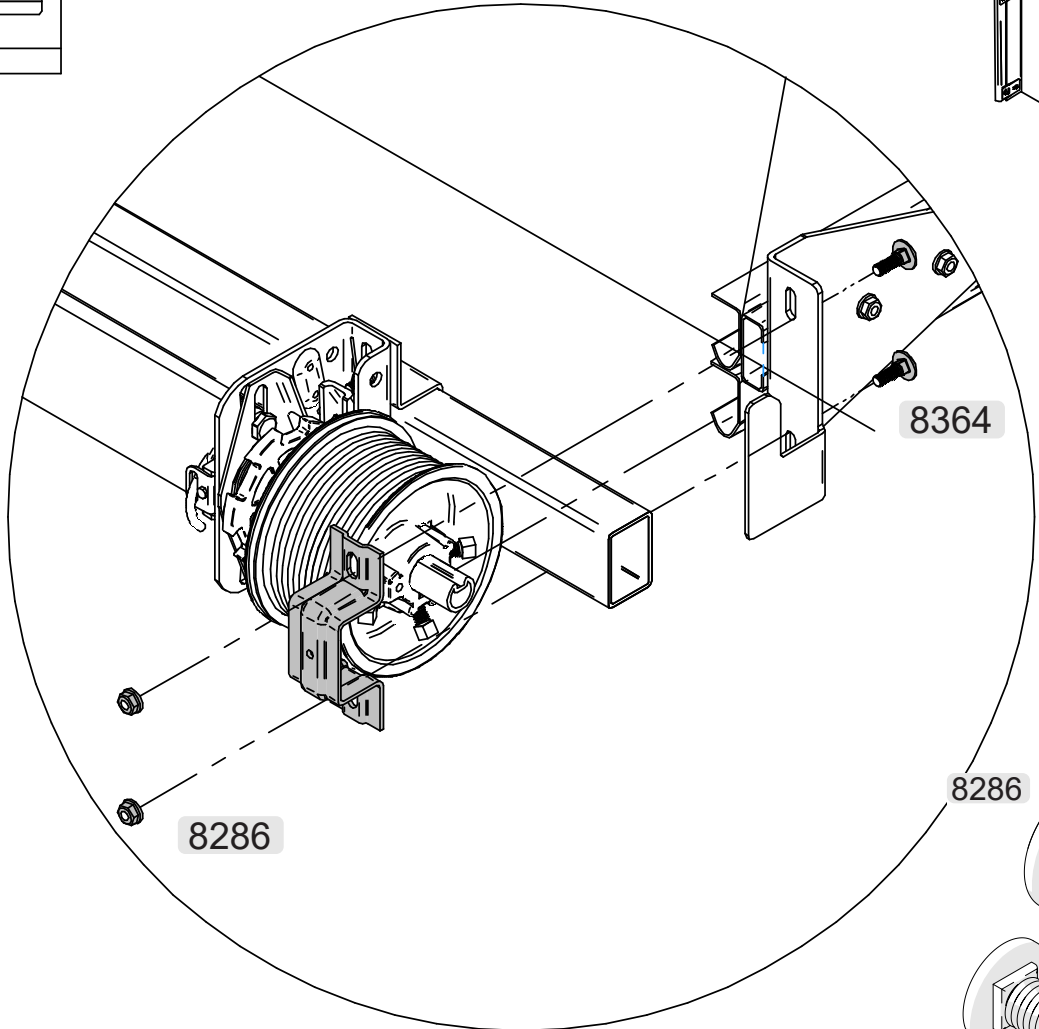
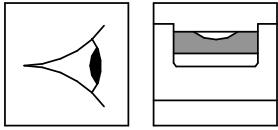
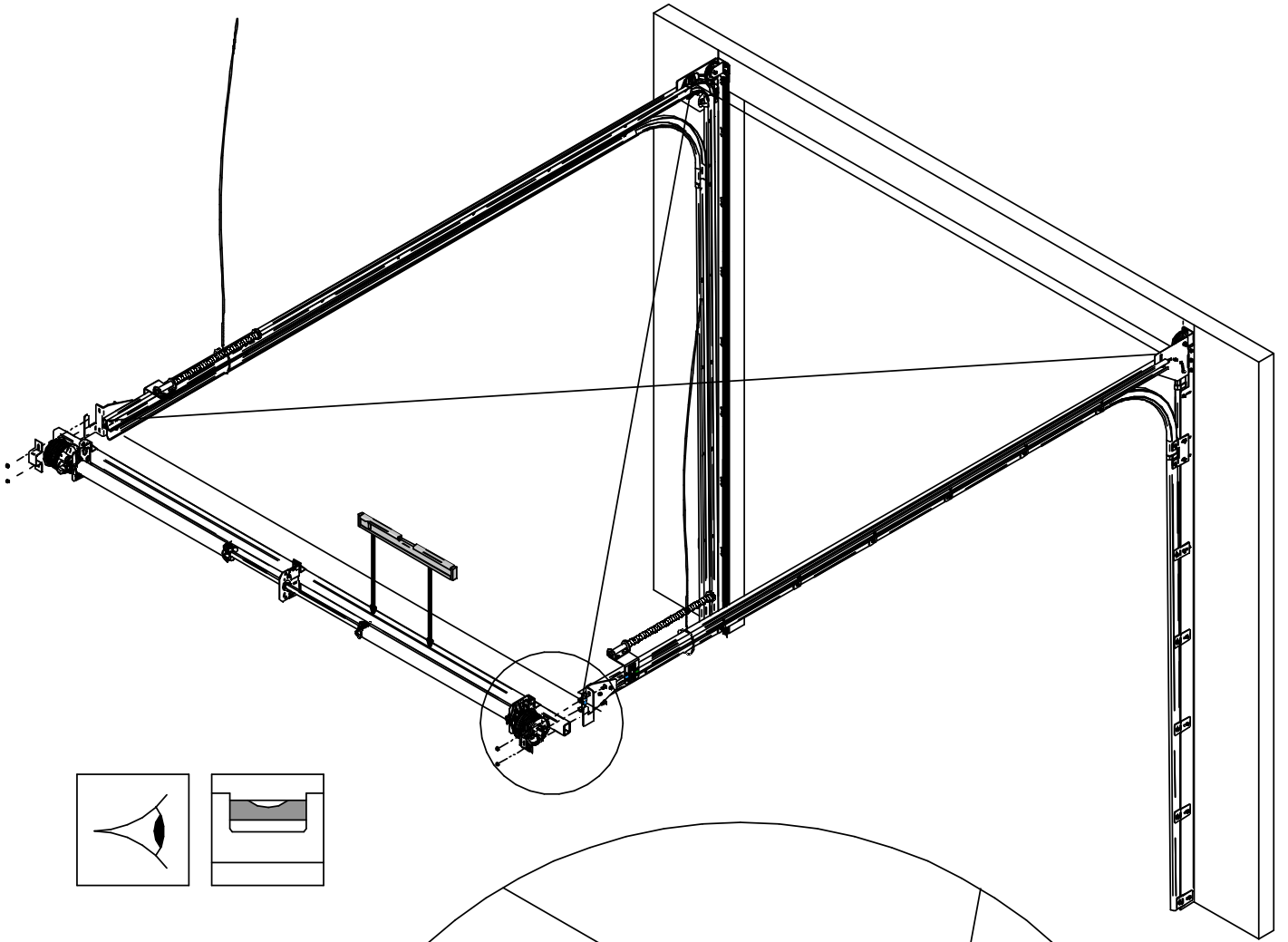


LS200 /
250



MOTOR
CONTROL
RIGHT

LS200



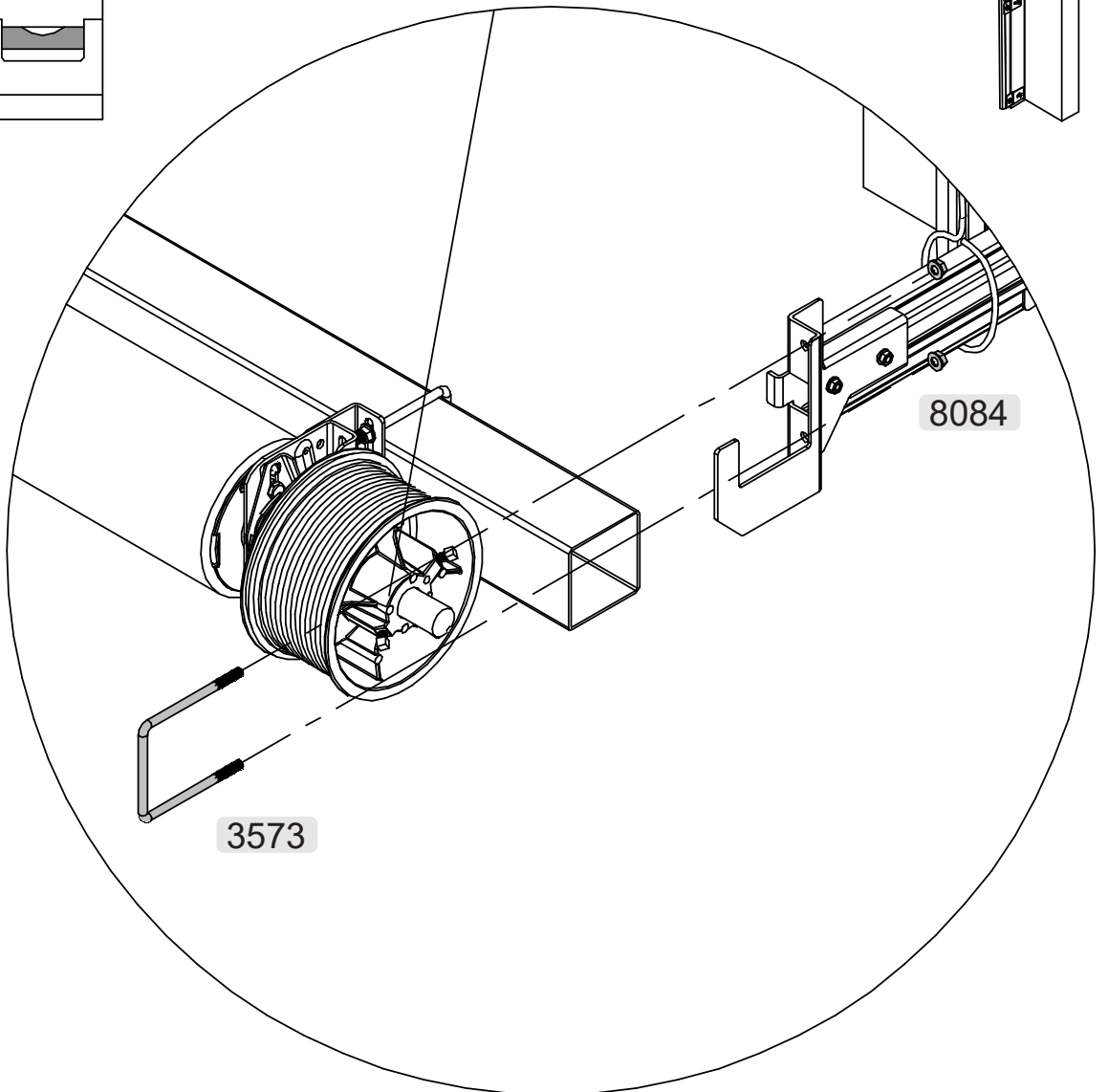
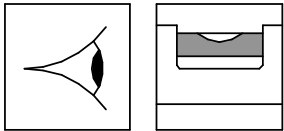
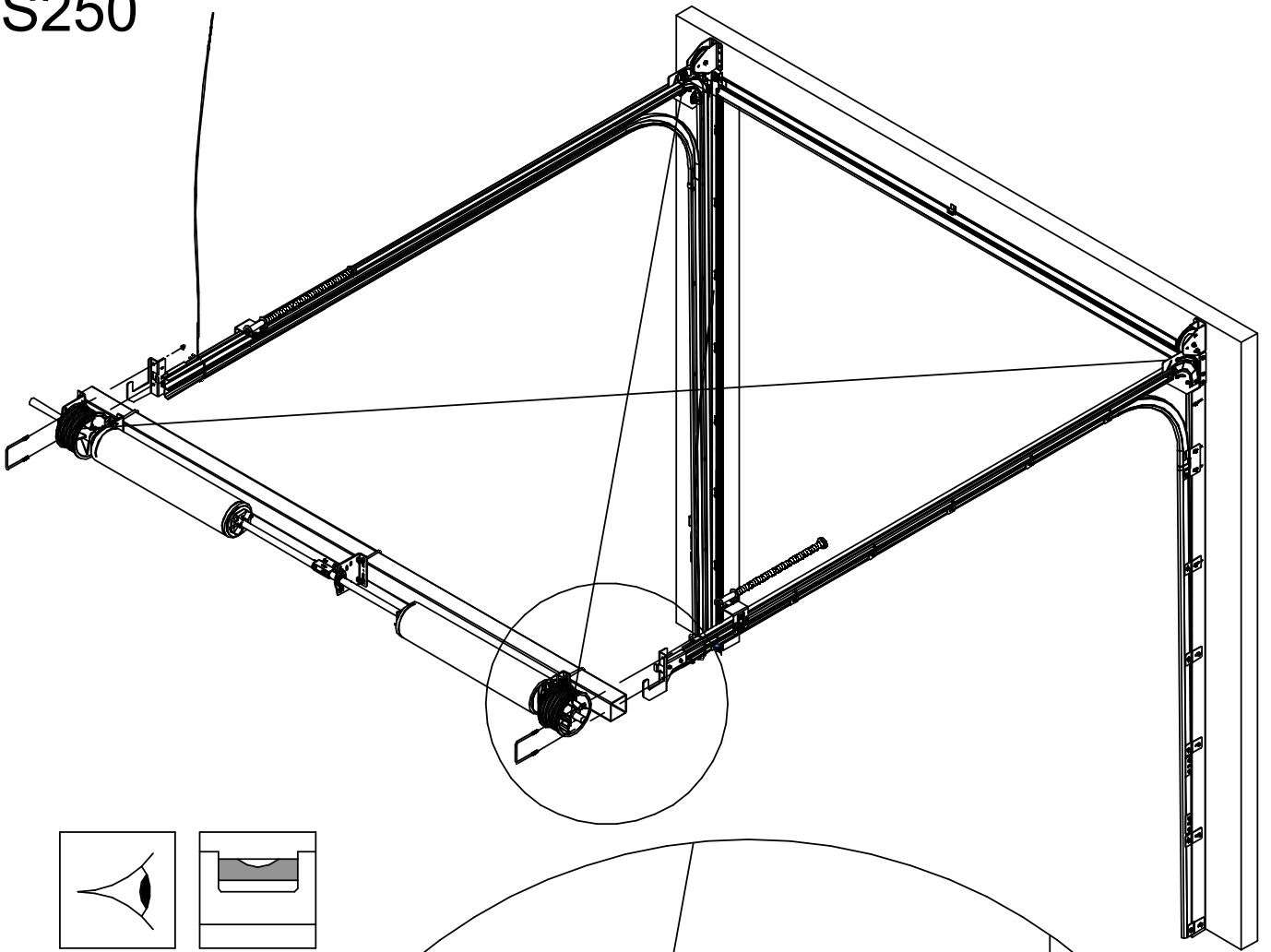
8364

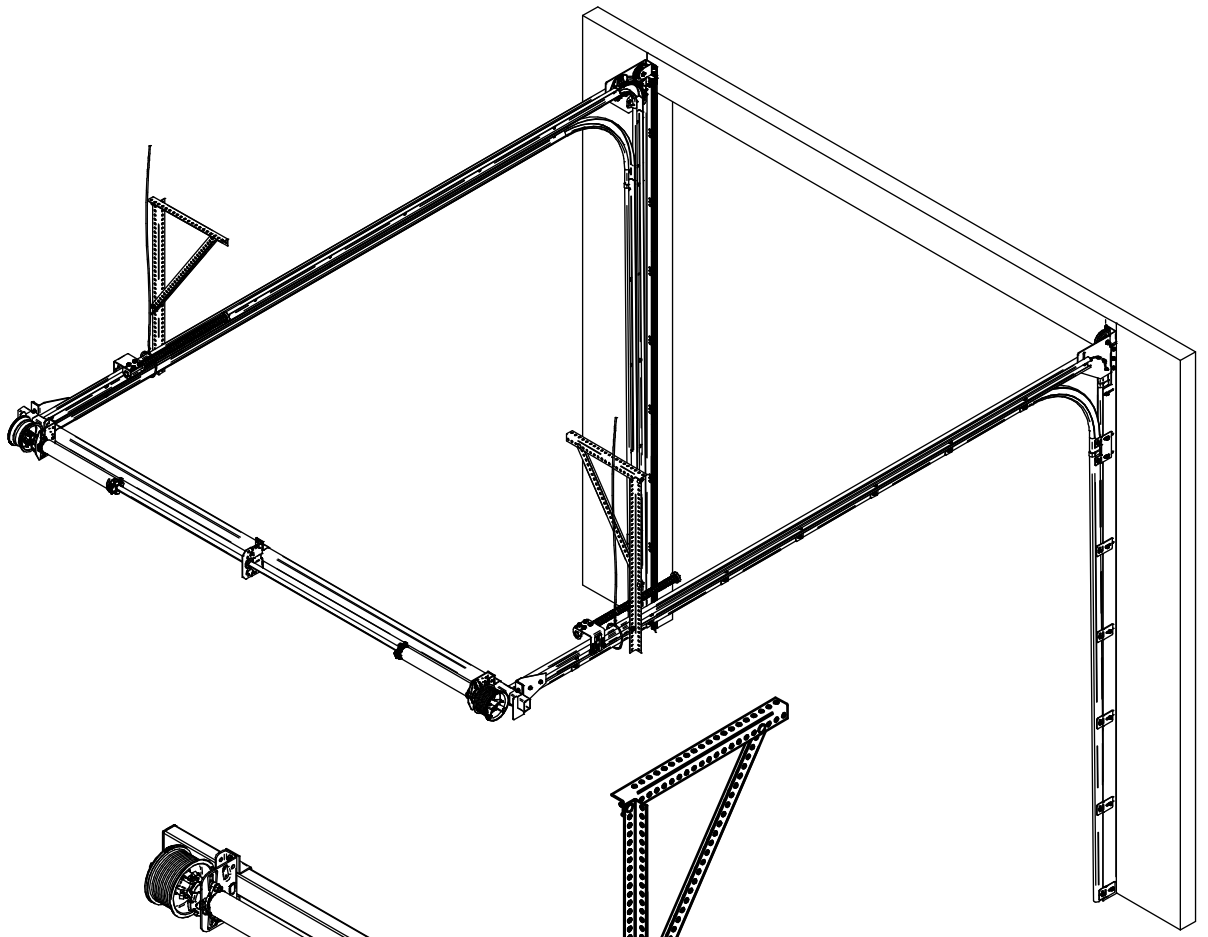
8286

8286

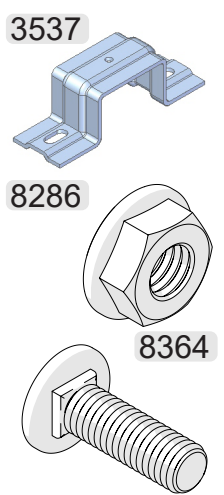
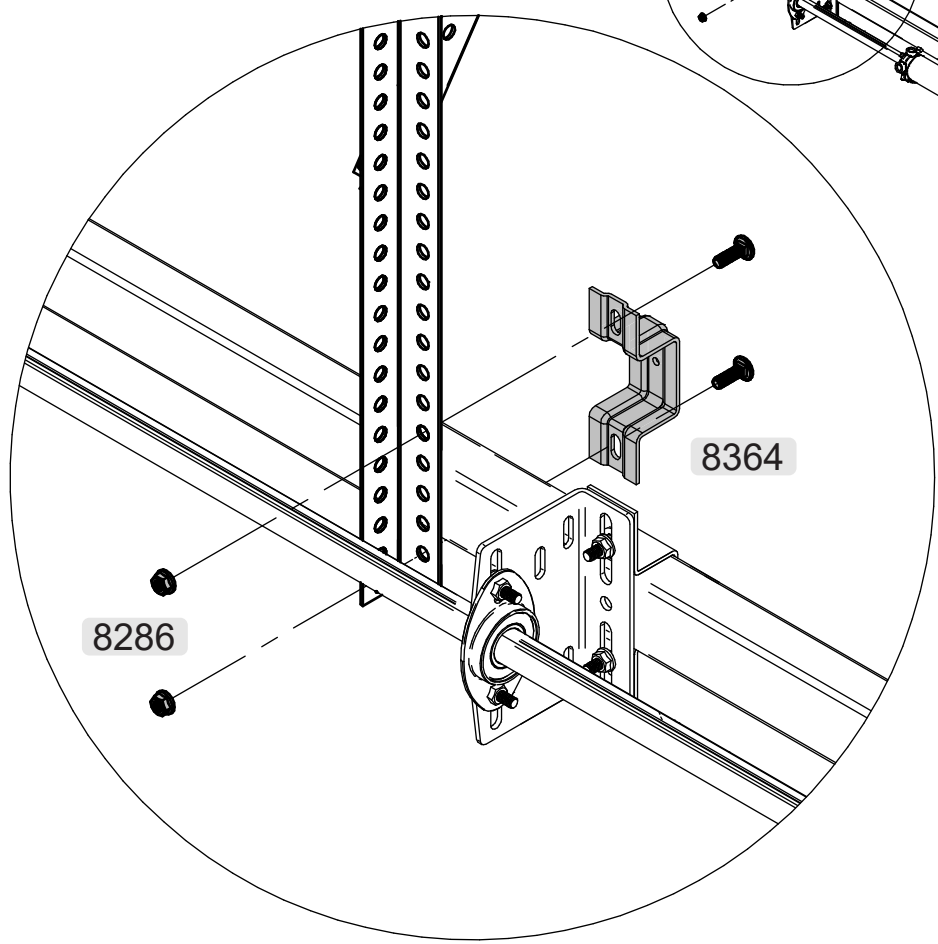
8364

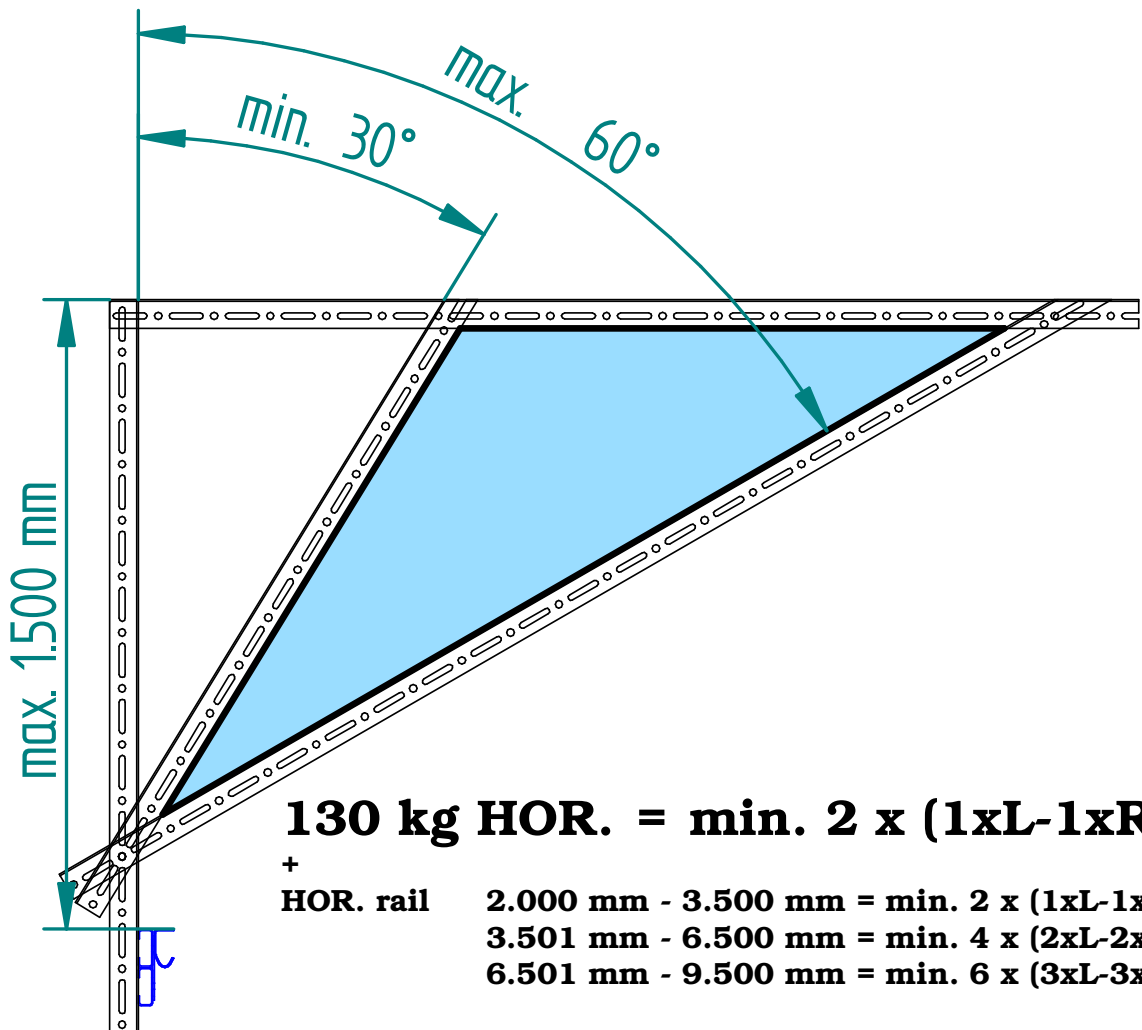
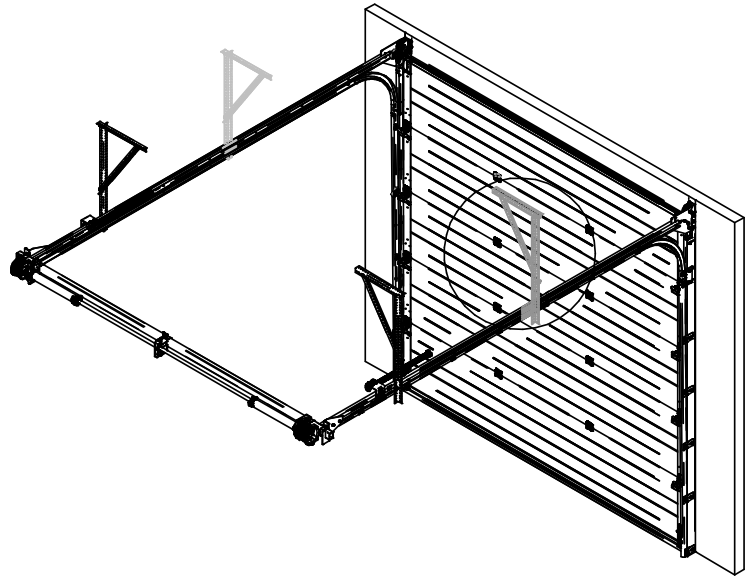
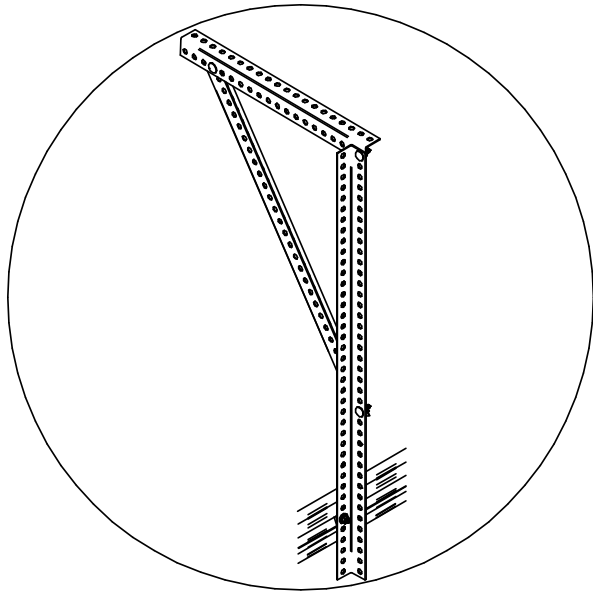
LS250



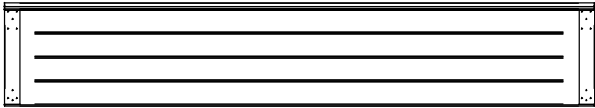


DMB > 3999 mm

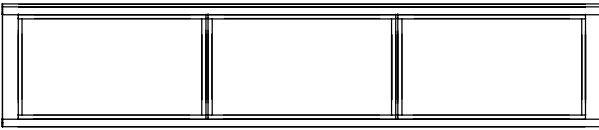




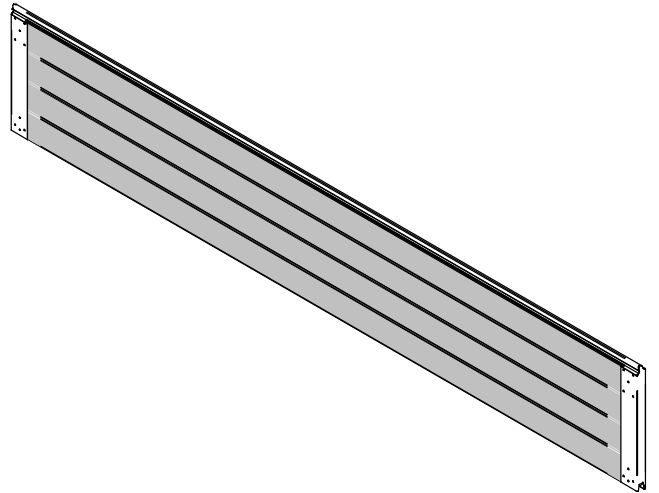
1



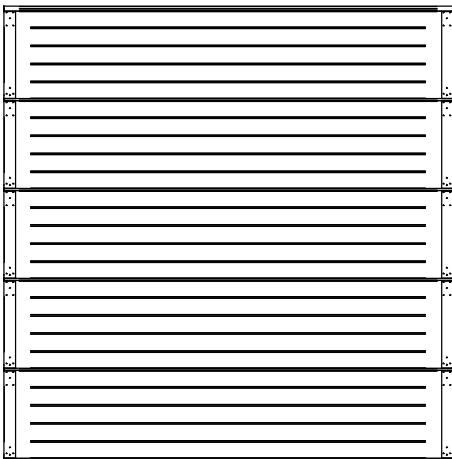
2



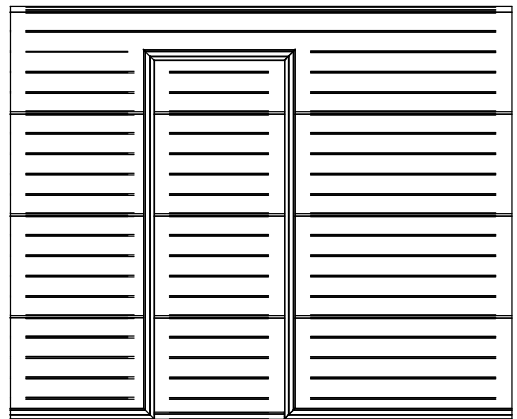
3



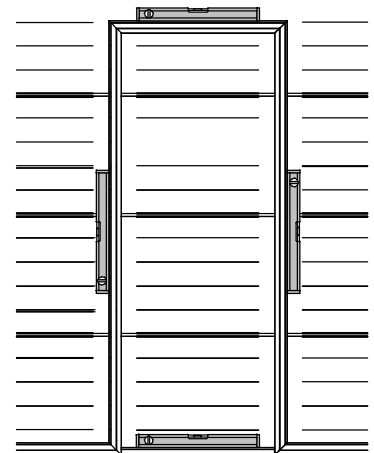
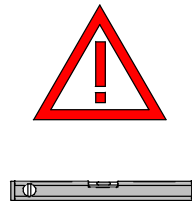
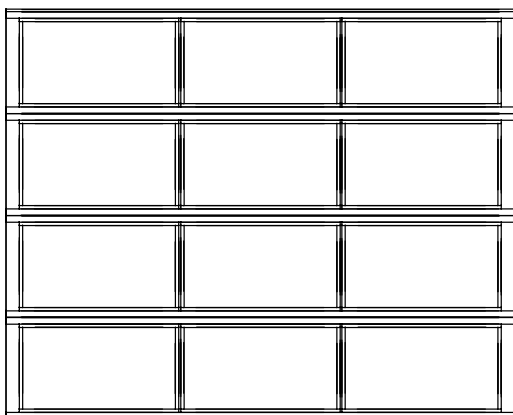
1

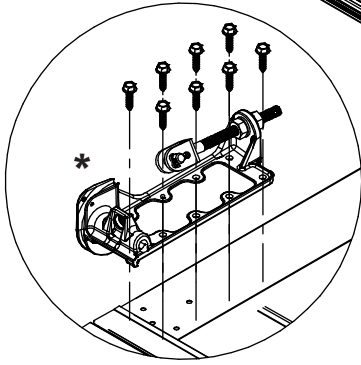
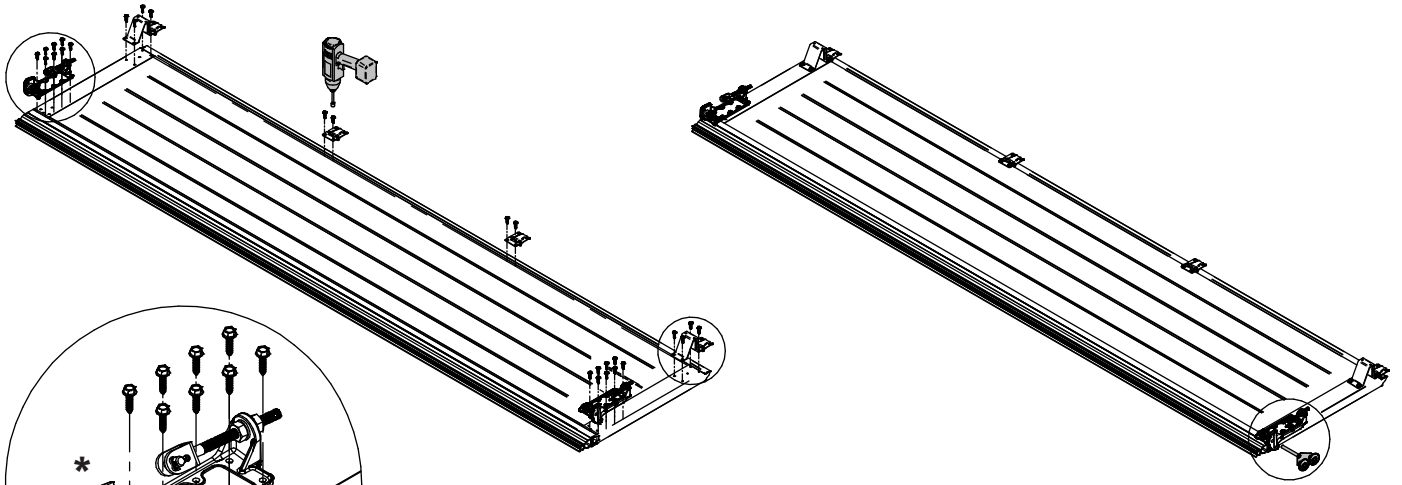
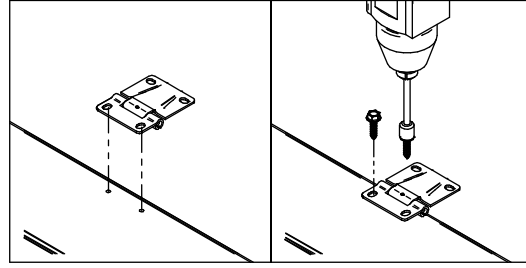
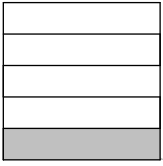


3

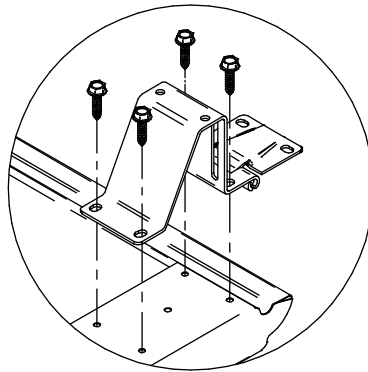


2

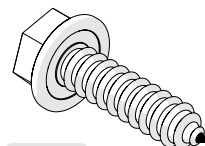
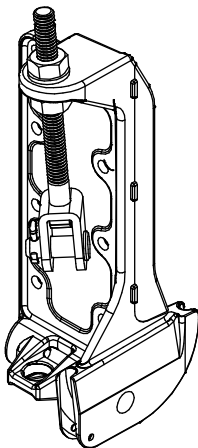




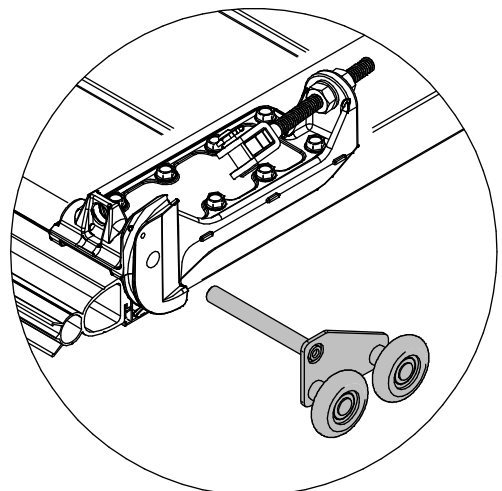
*Except for Passdoor S80 / A80, refer to page 46.

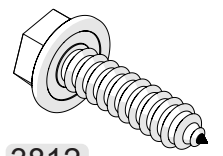
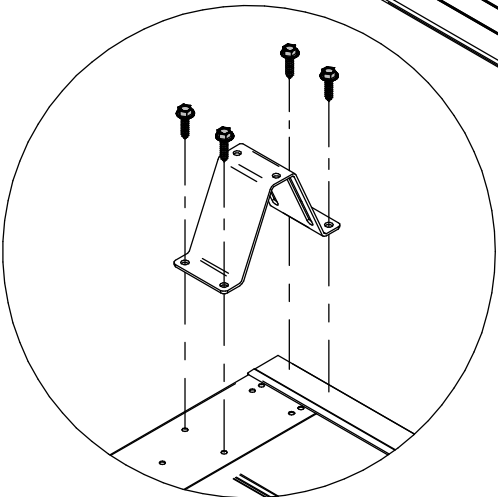
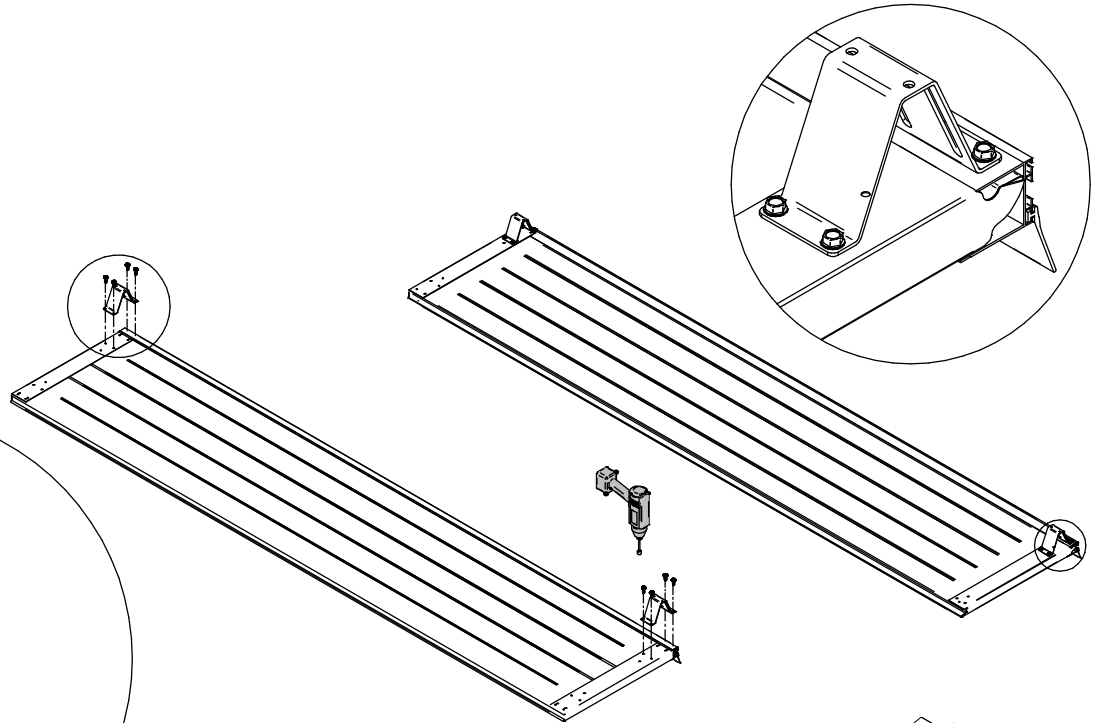
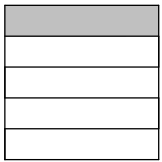
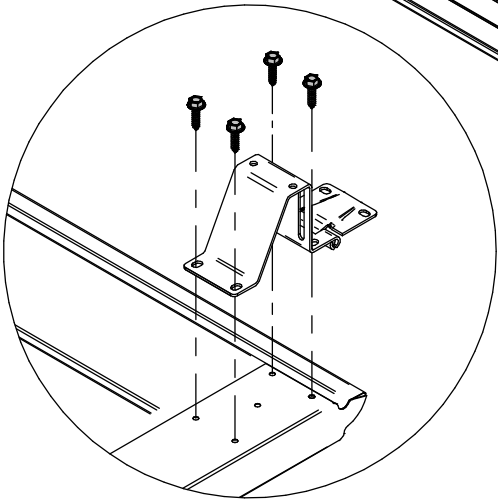
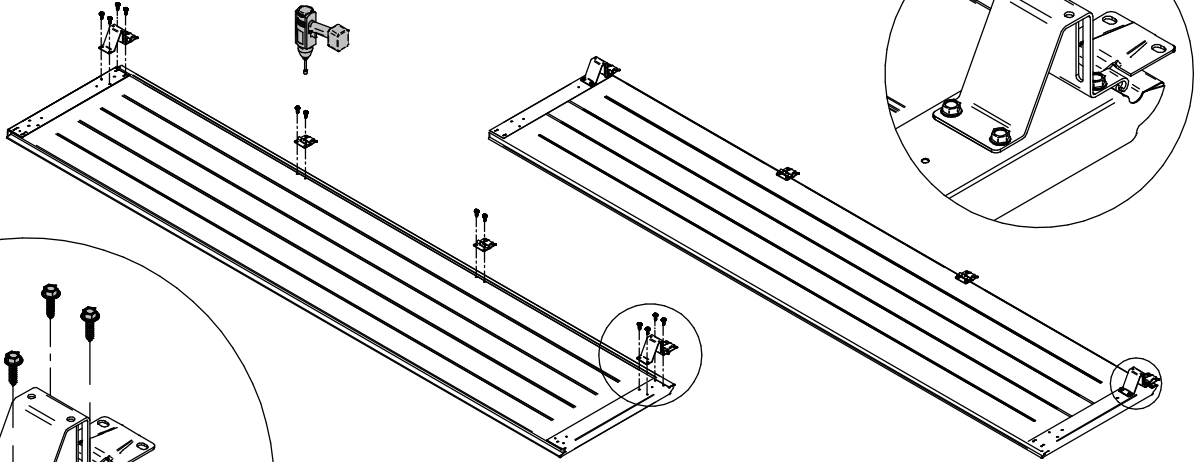
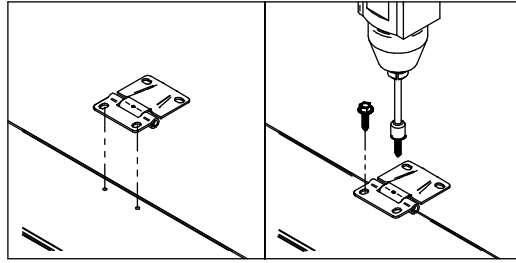
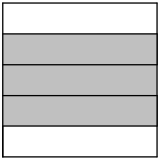


3170

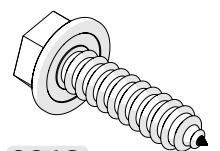
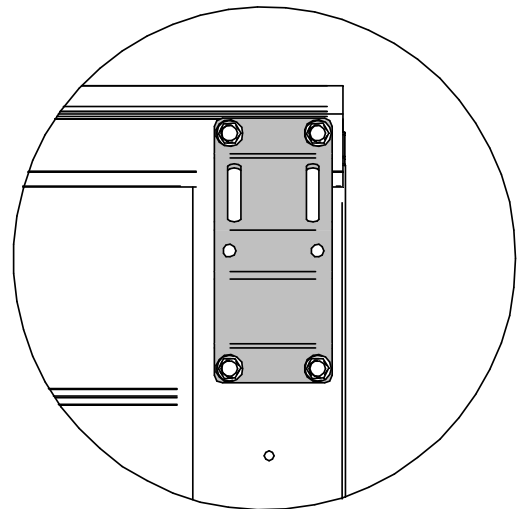
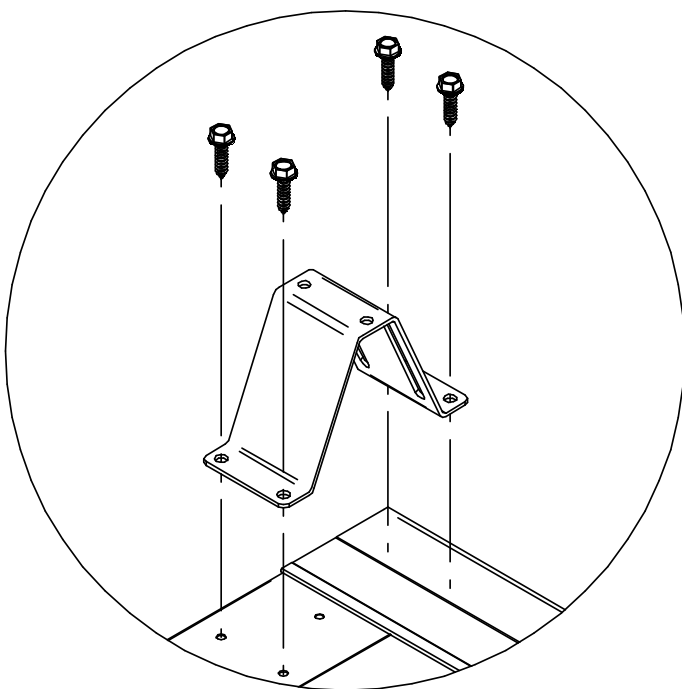
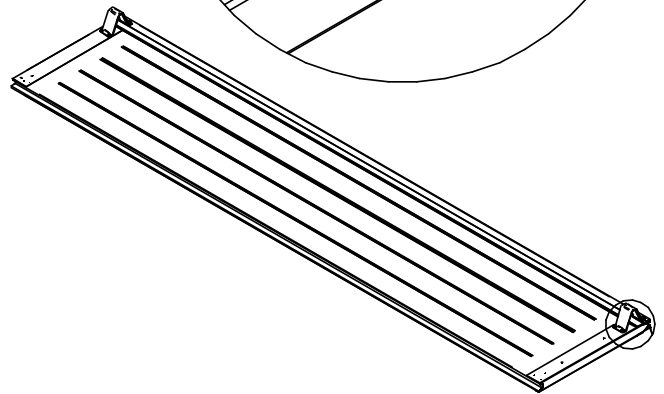
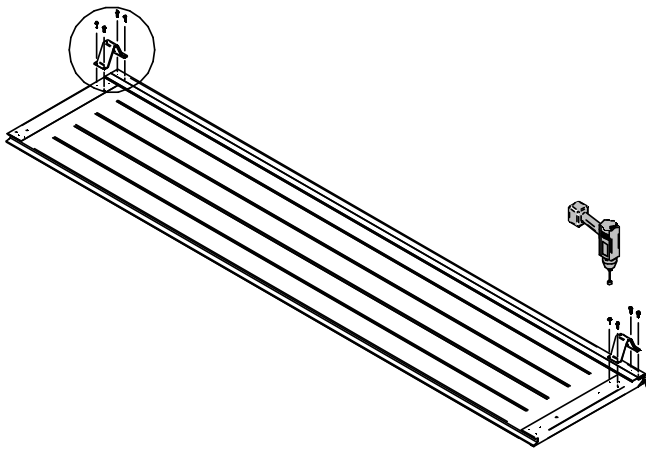
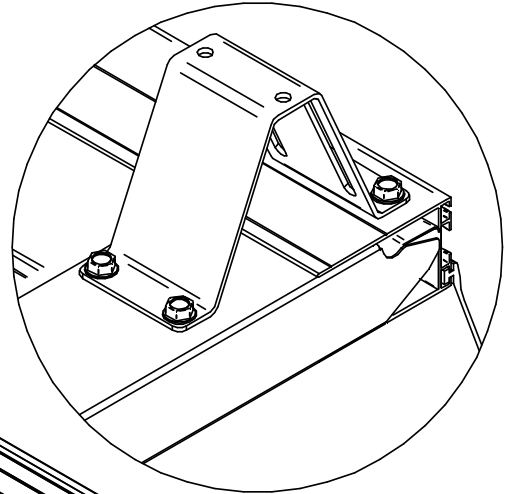
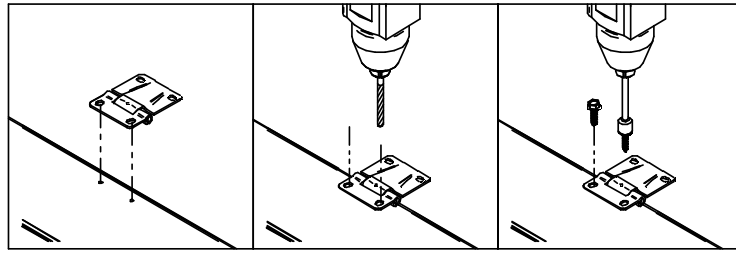
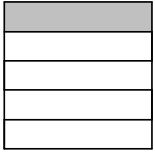


3812

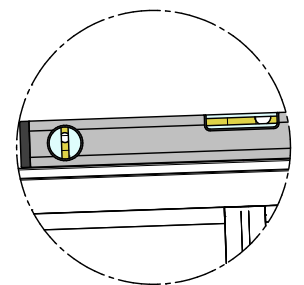
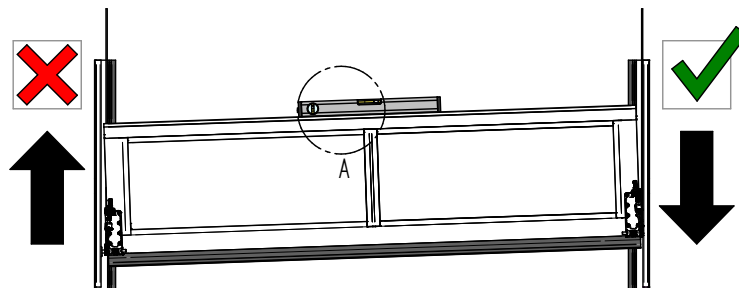
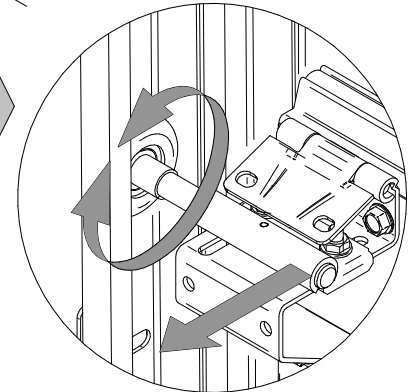
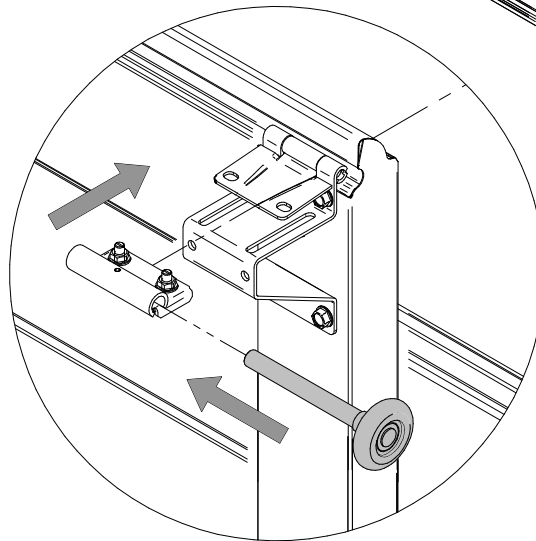
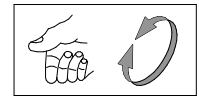
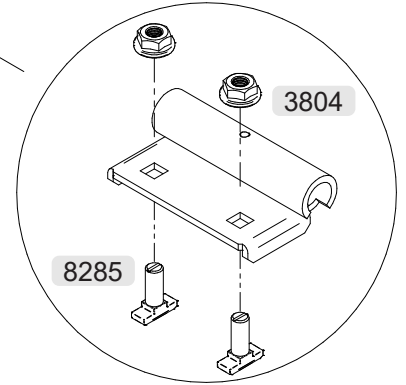
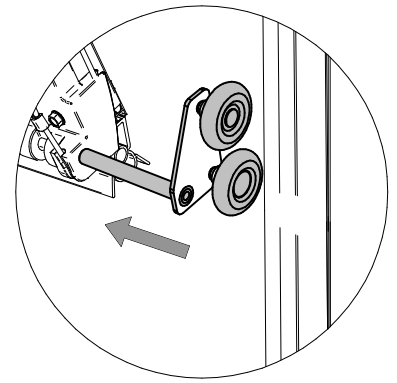
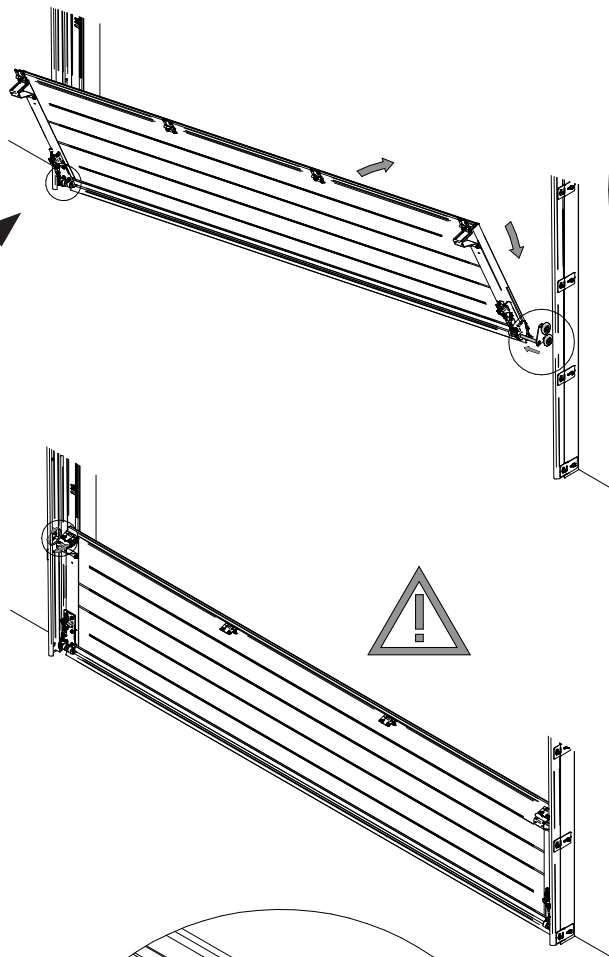
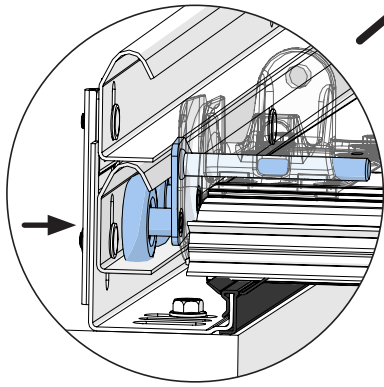




3812

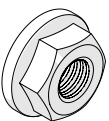


3812

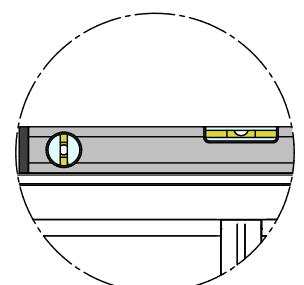
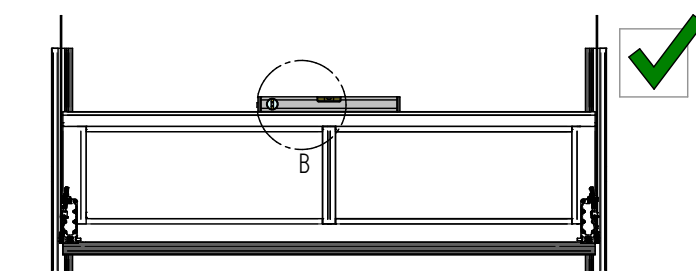
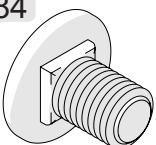


DETAIL A

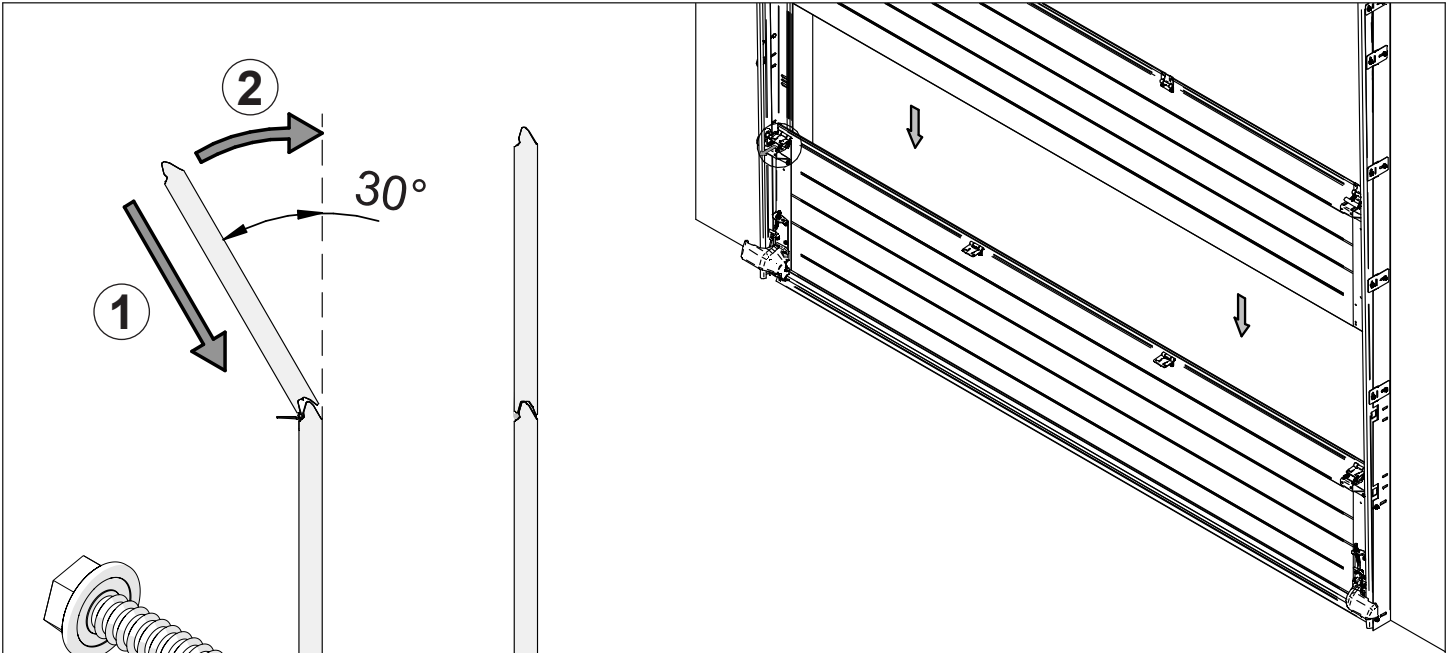
3804



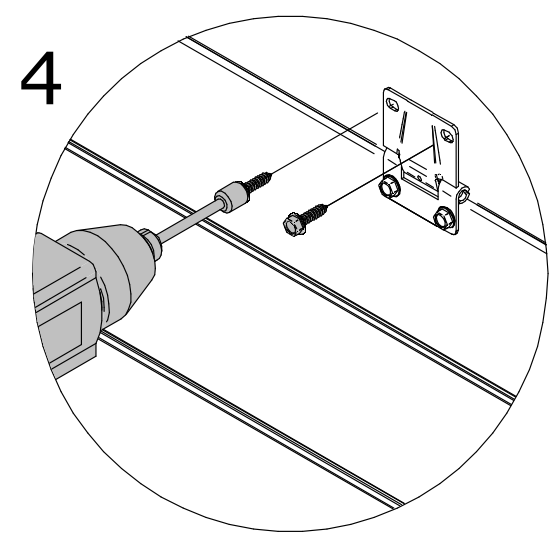
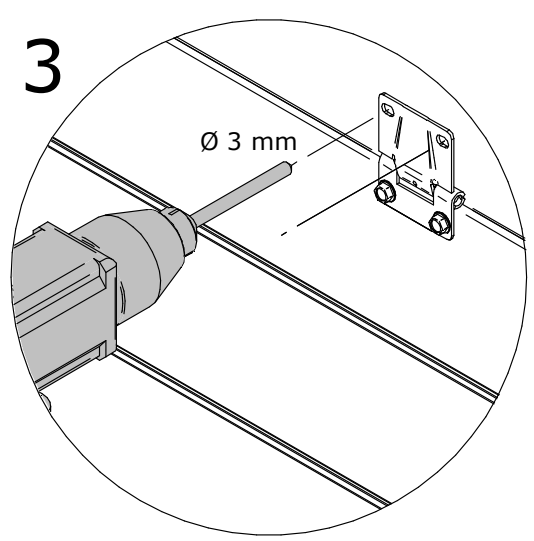
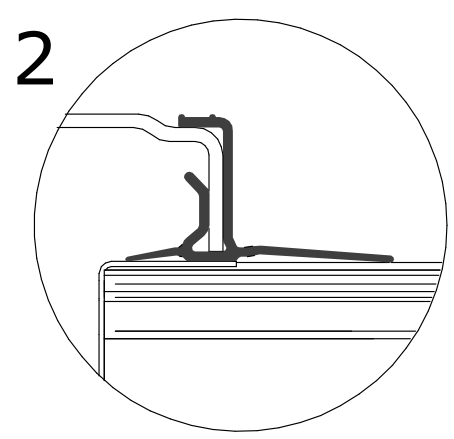
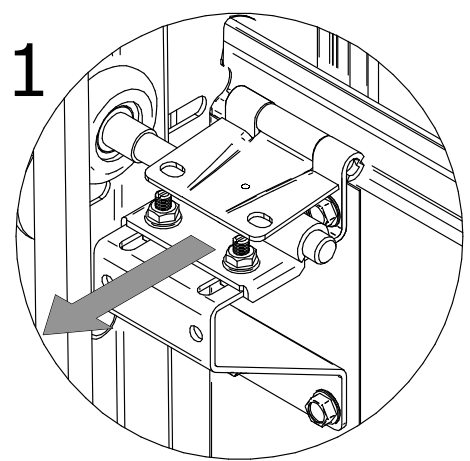
8284

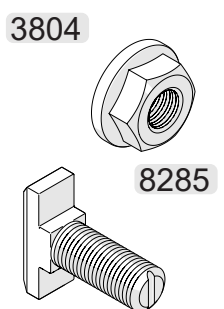
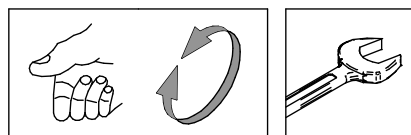
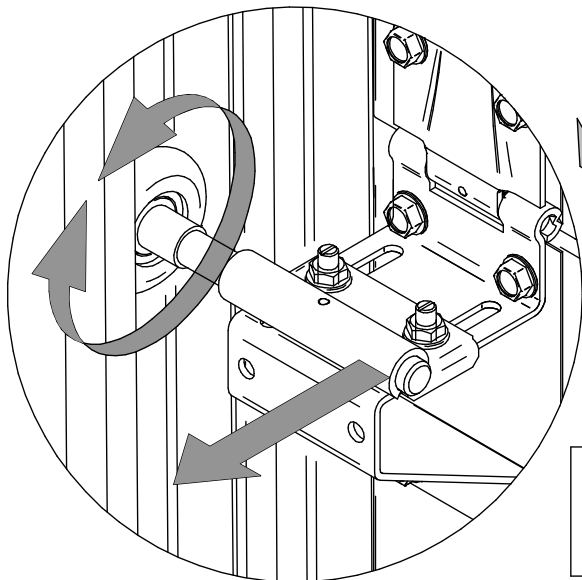
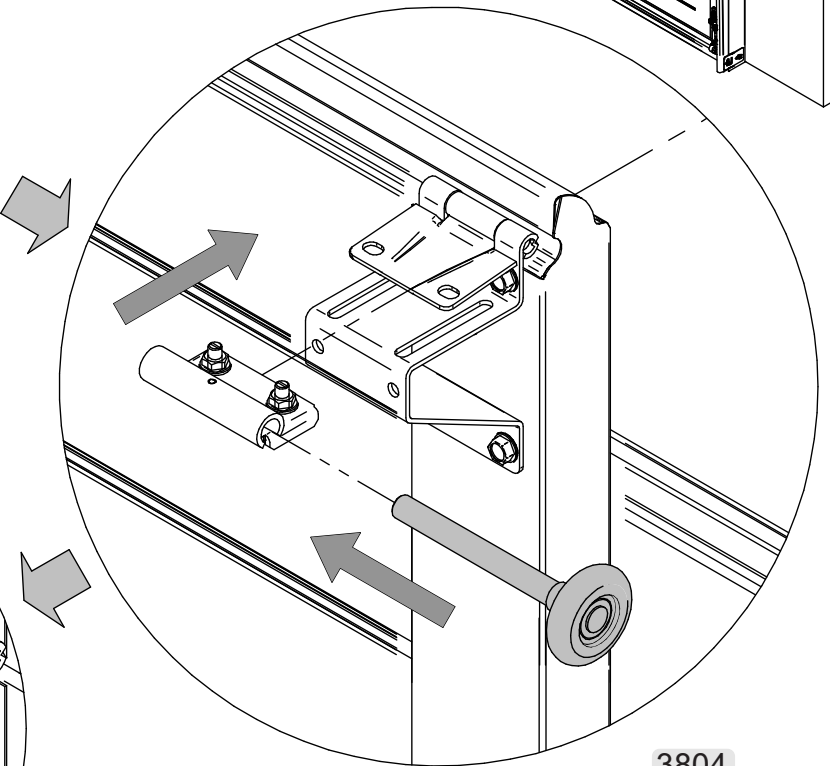
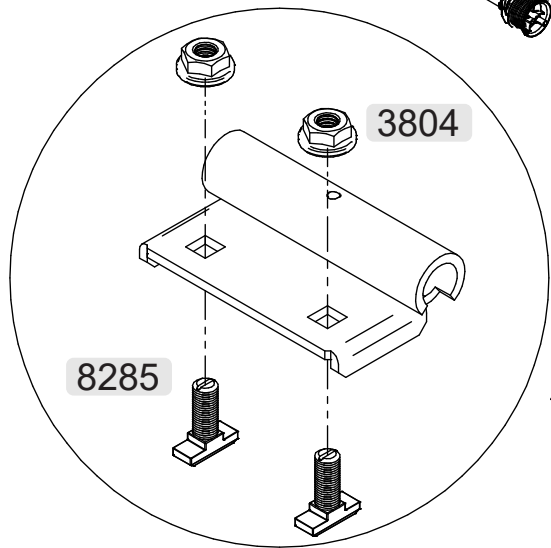
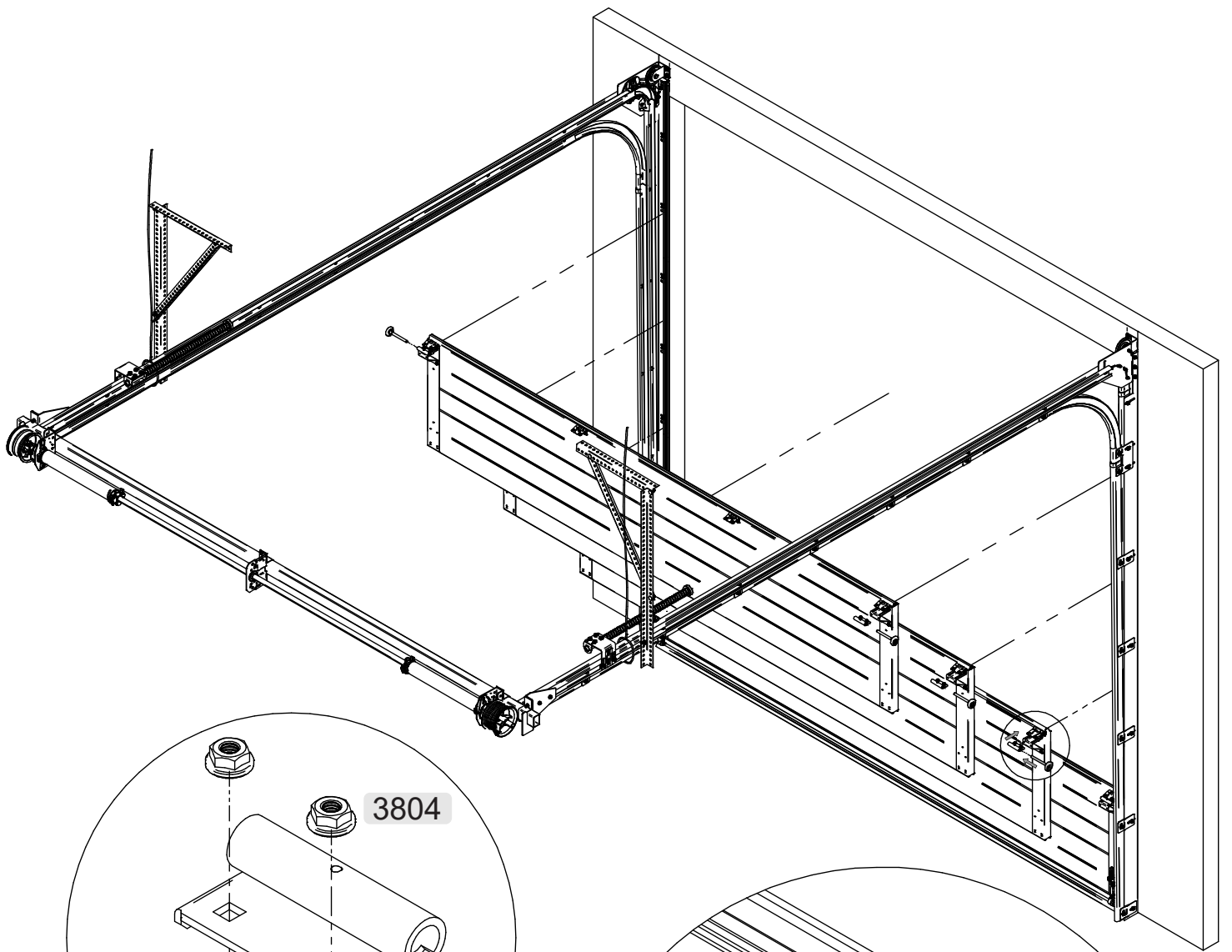


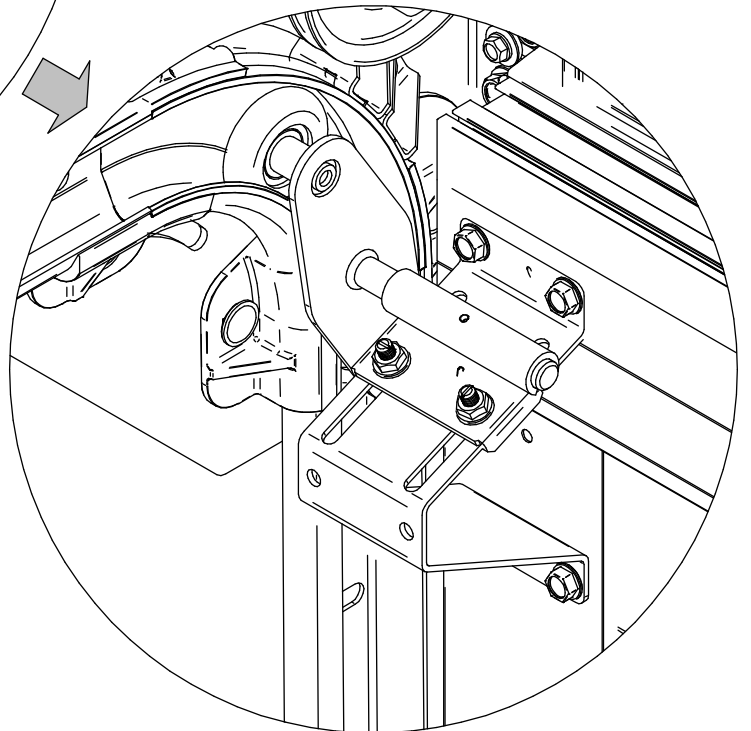
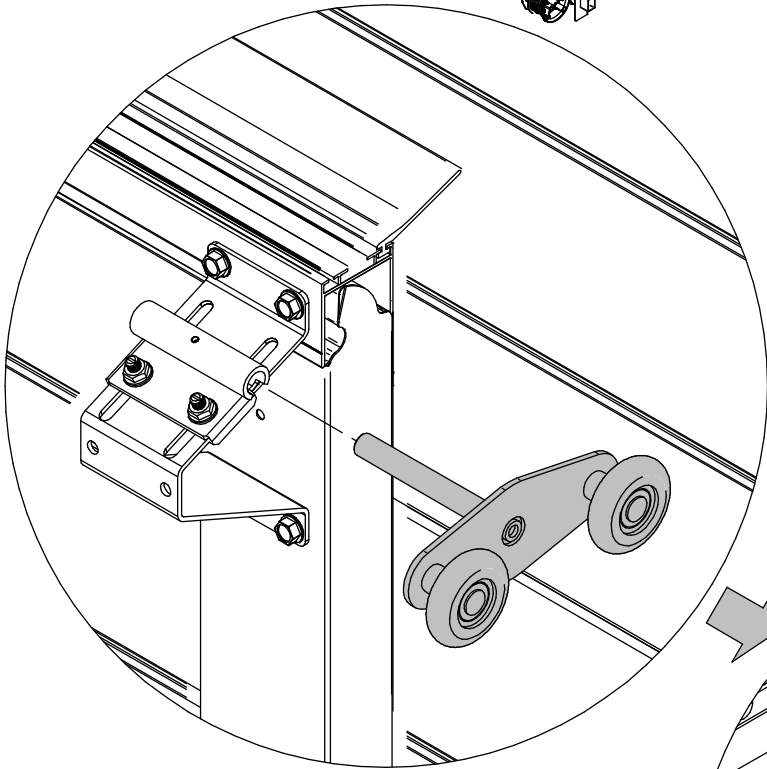
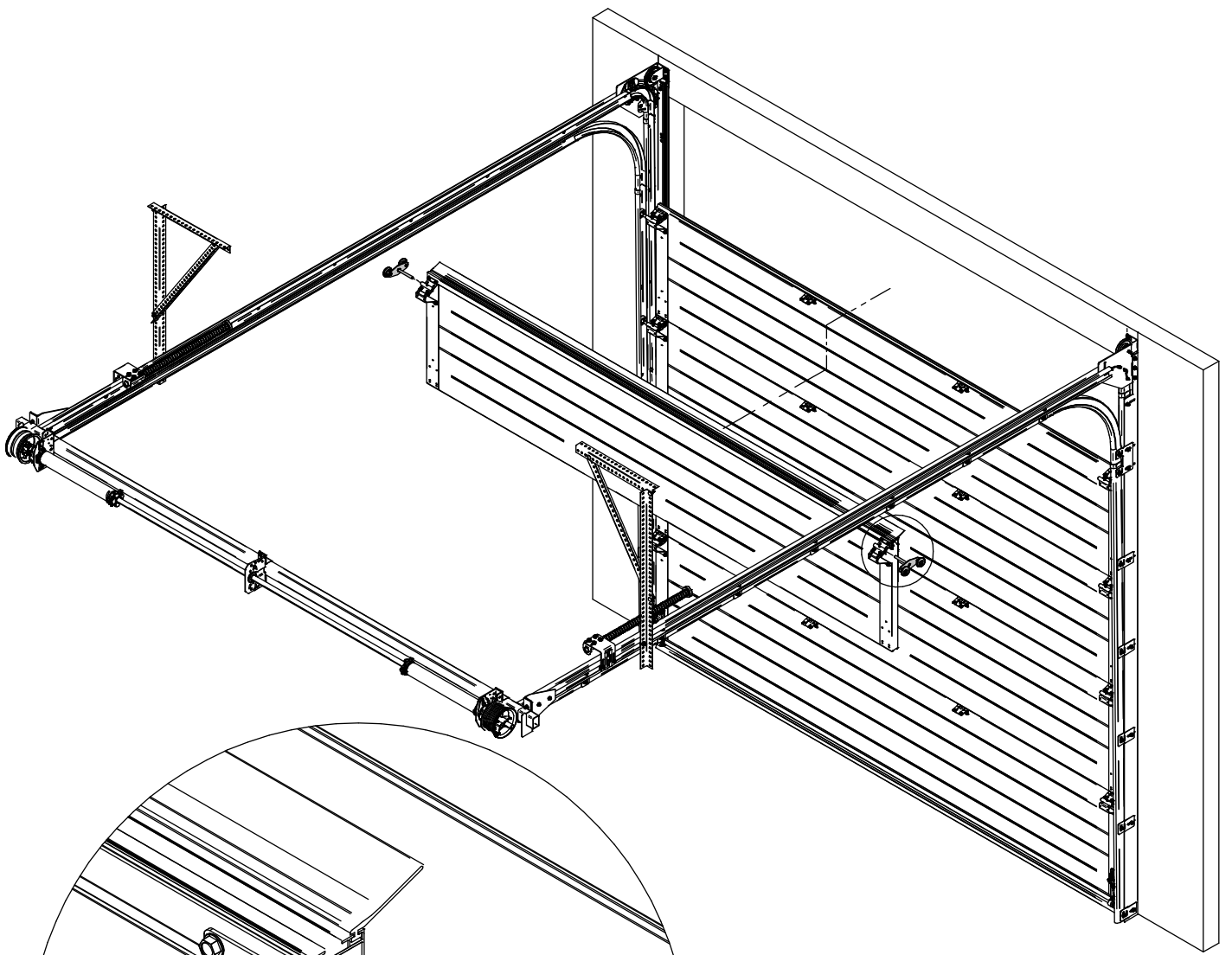
DETAIL B

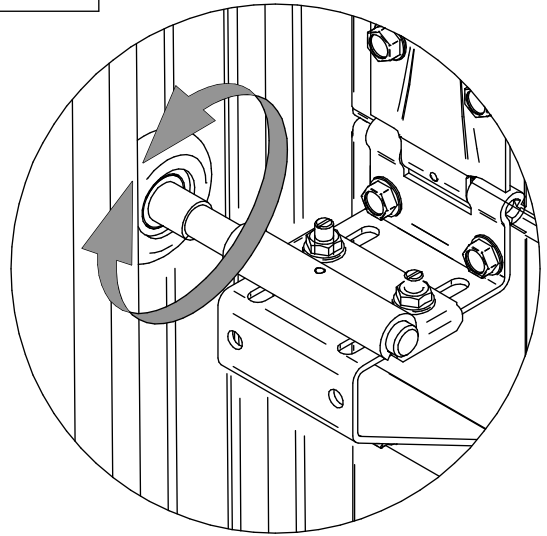
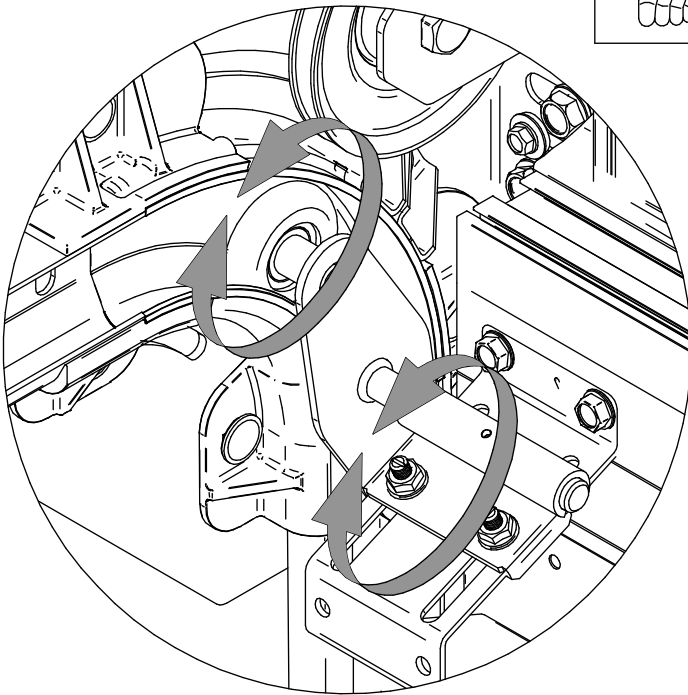
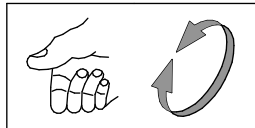
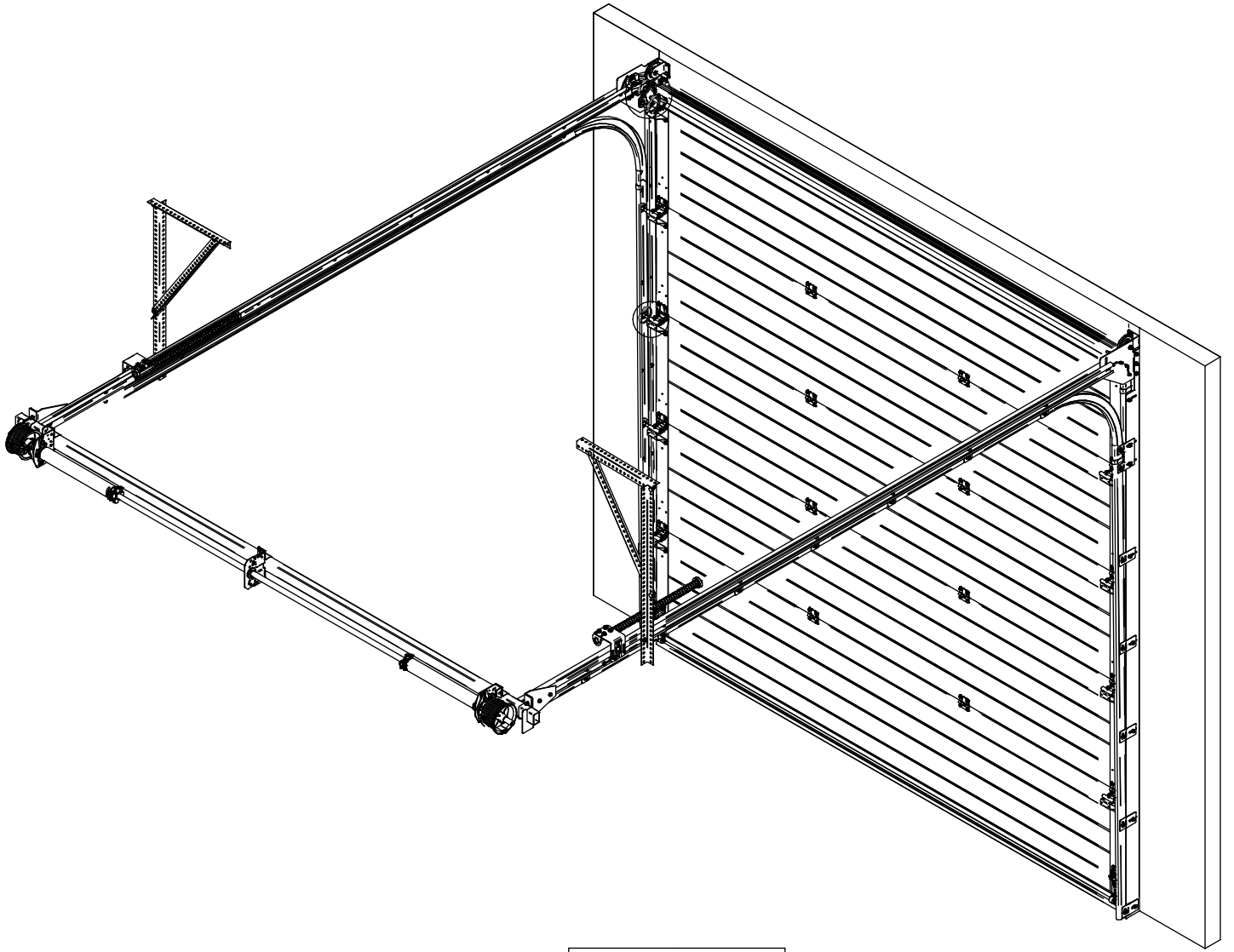


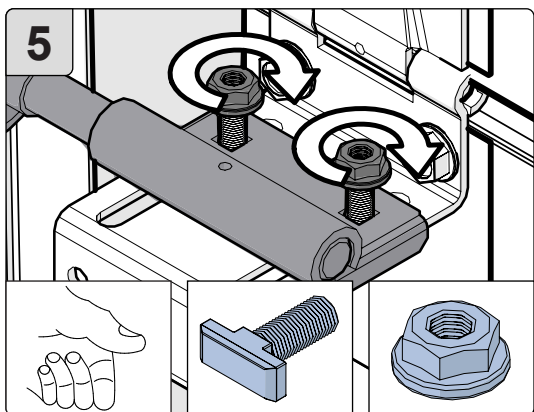
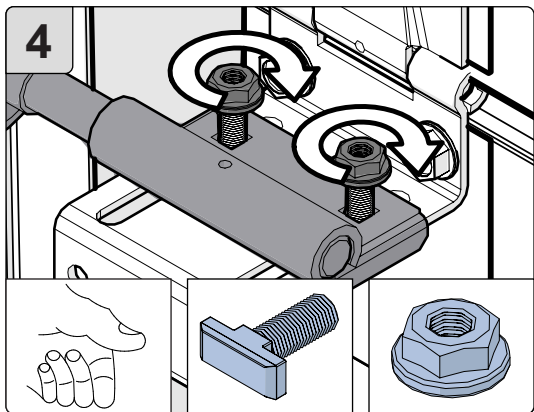
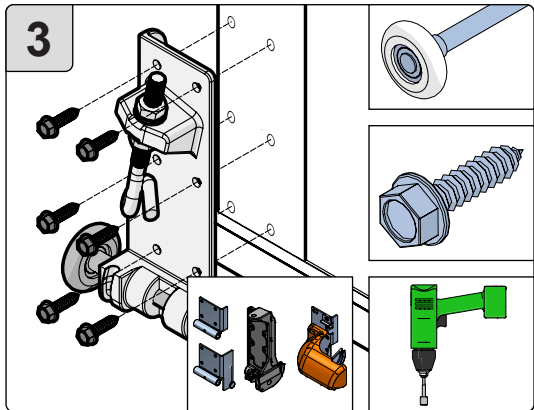
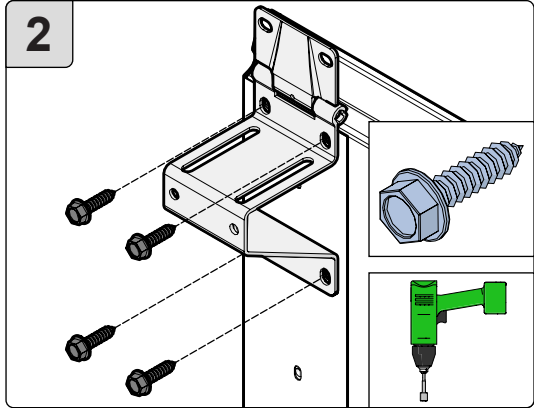
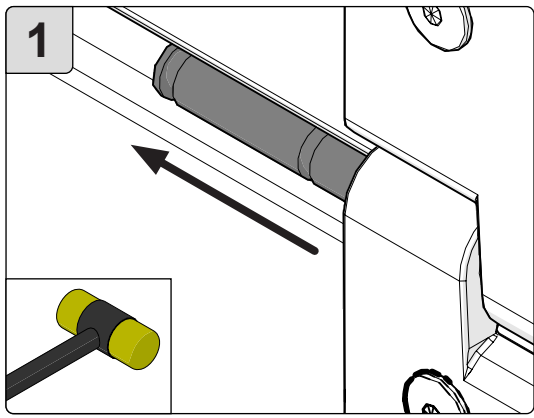
3812



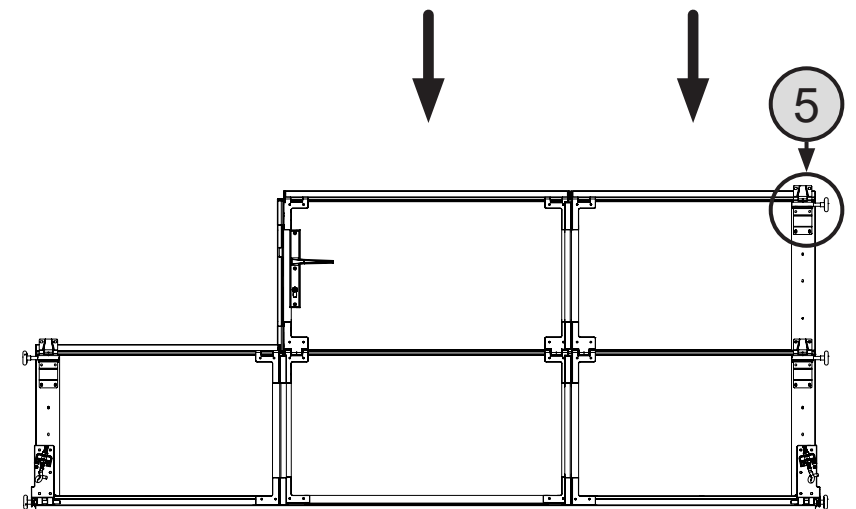
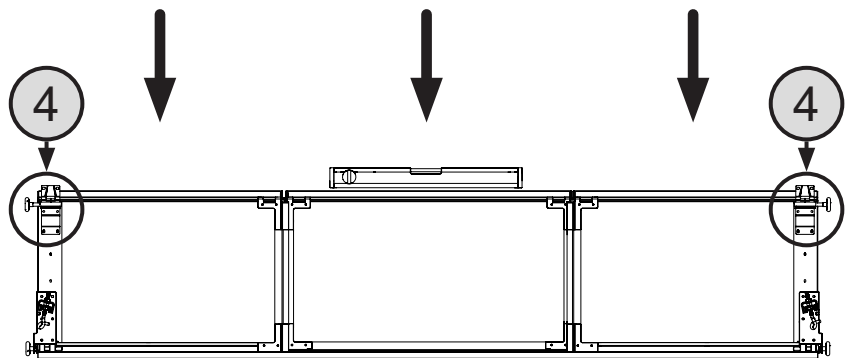
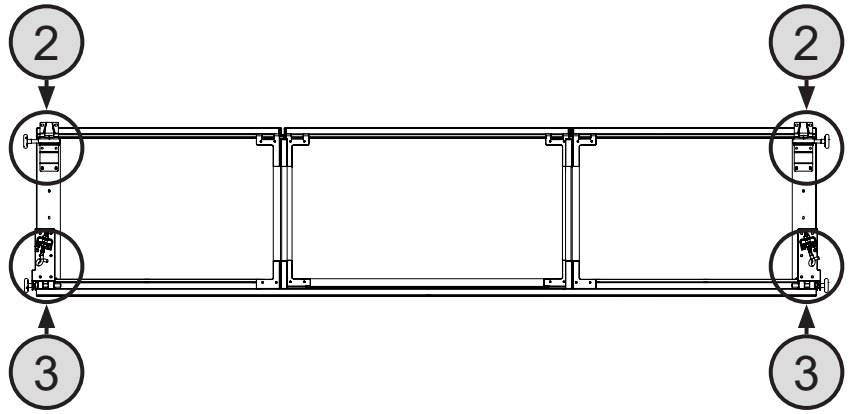


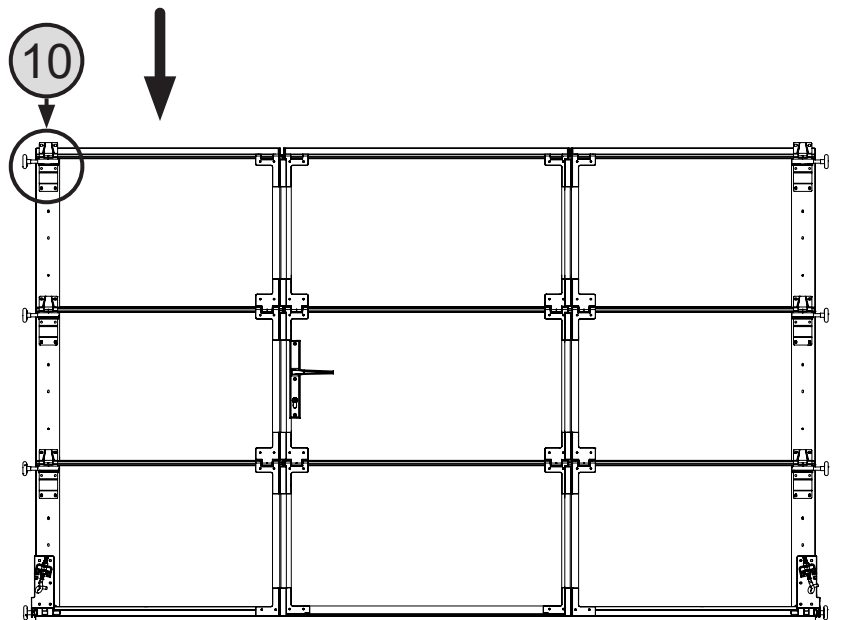
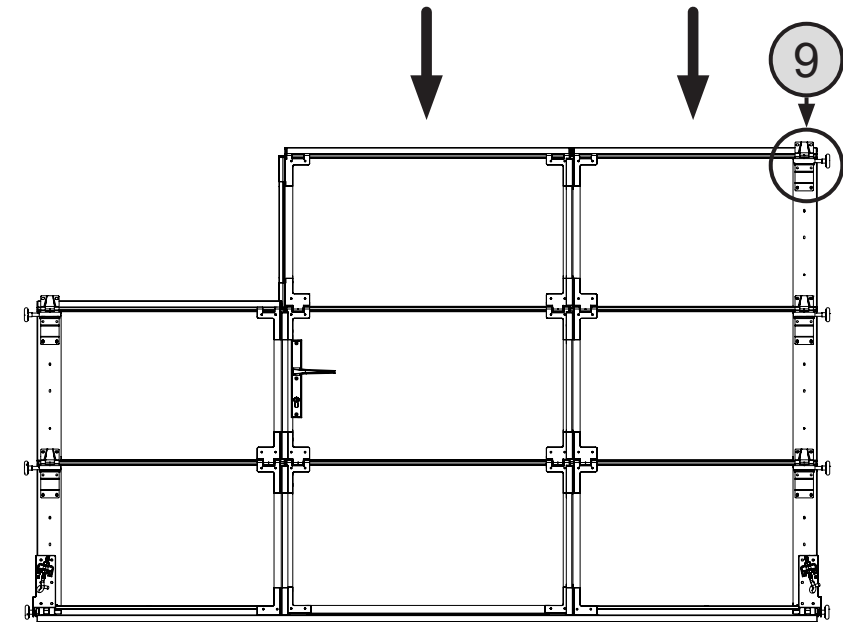
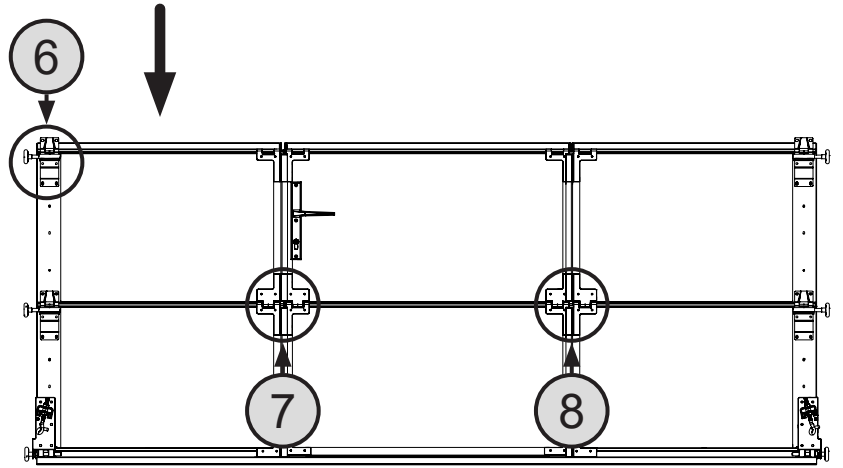
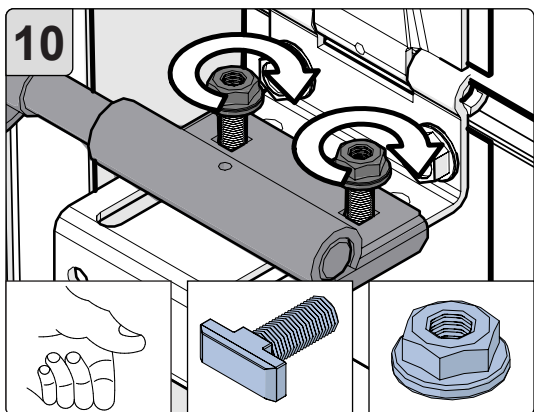
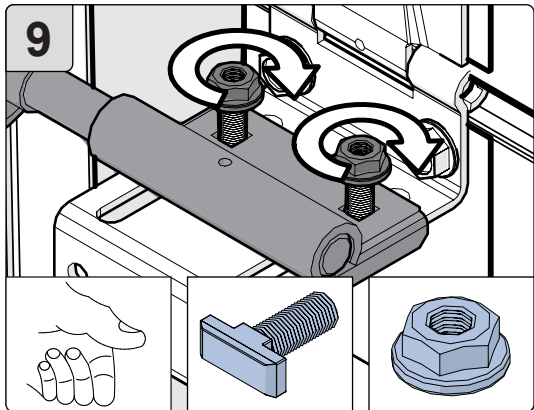
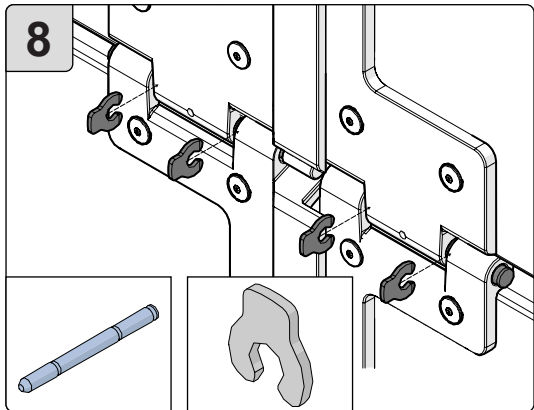
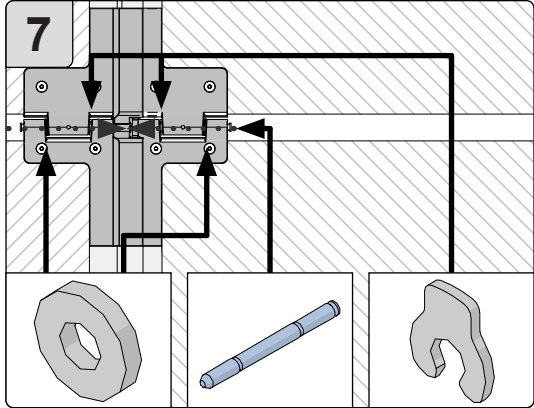
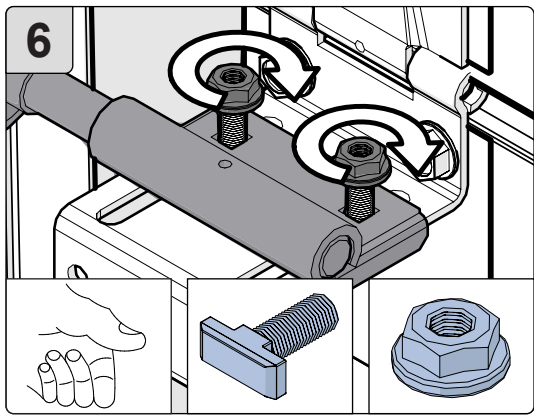


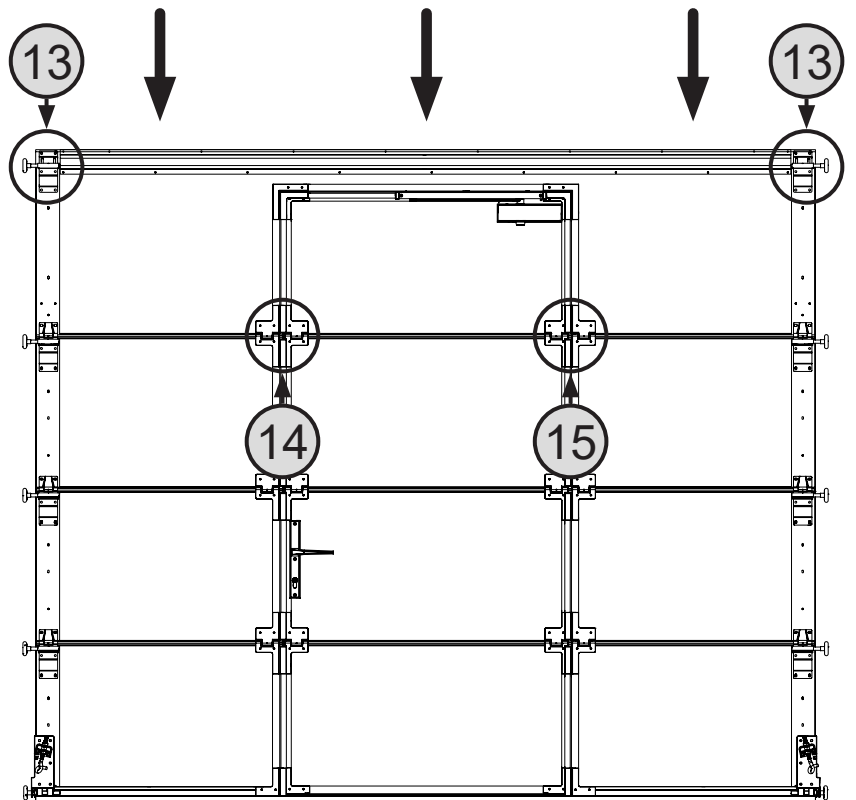
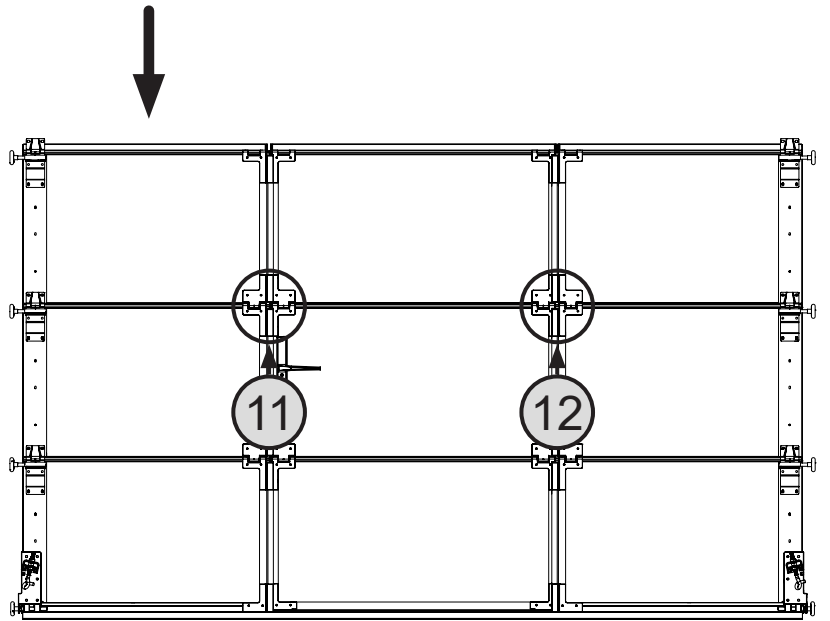
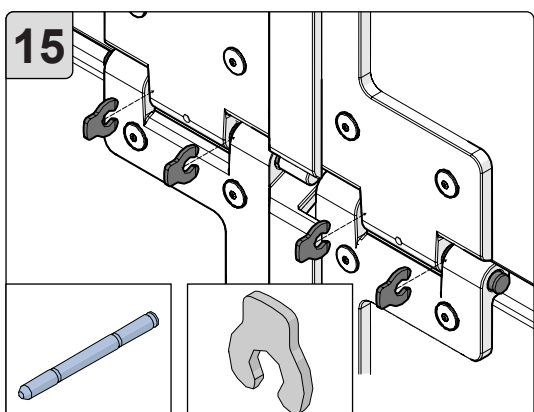
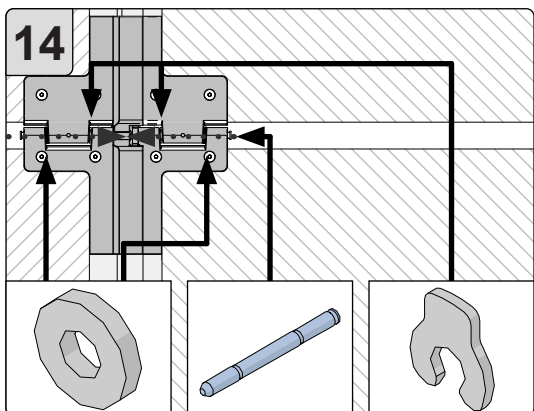
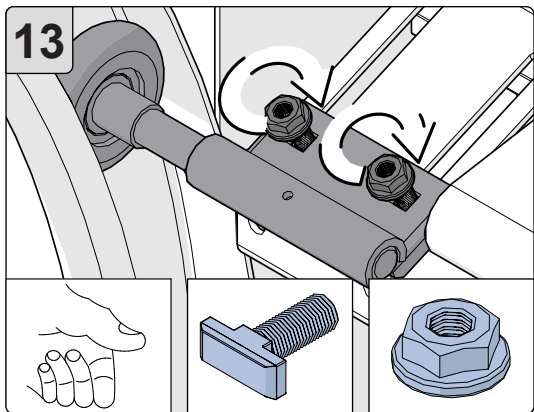
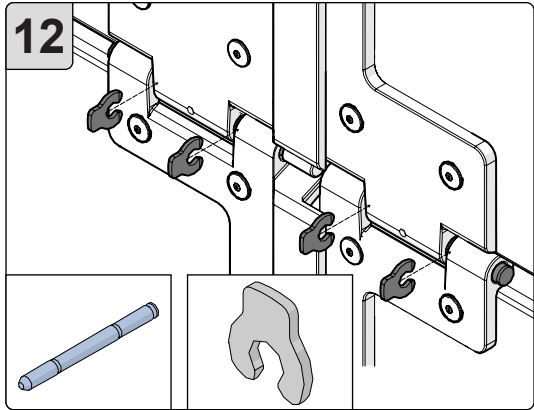
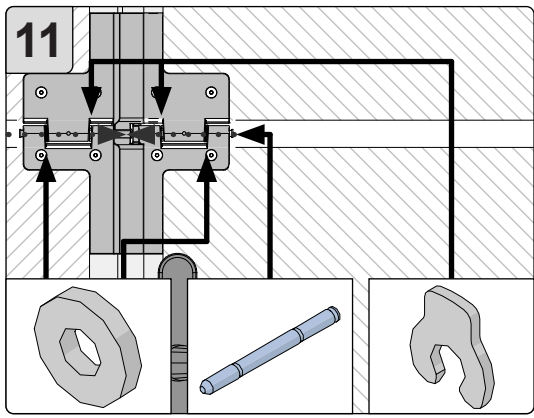


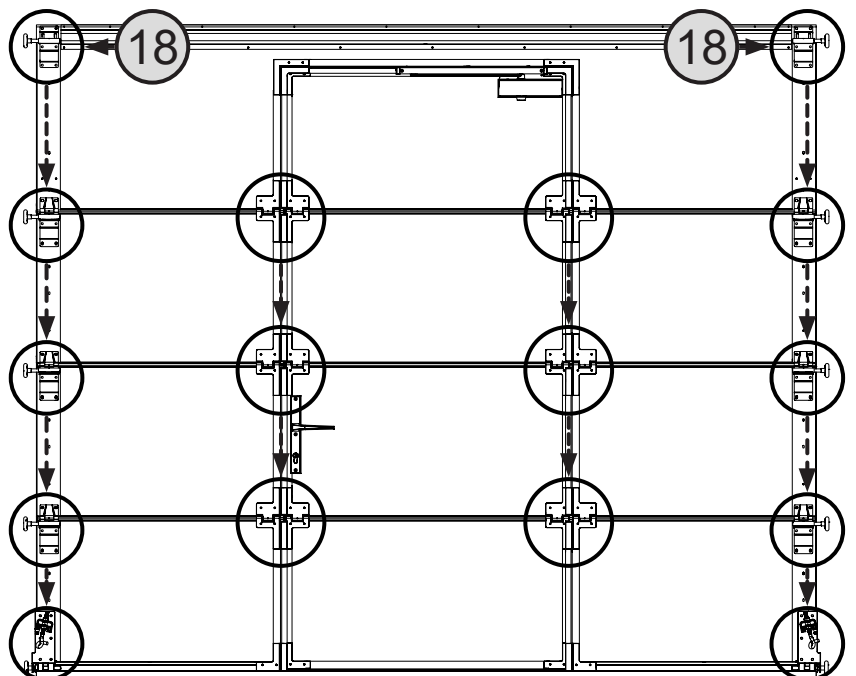
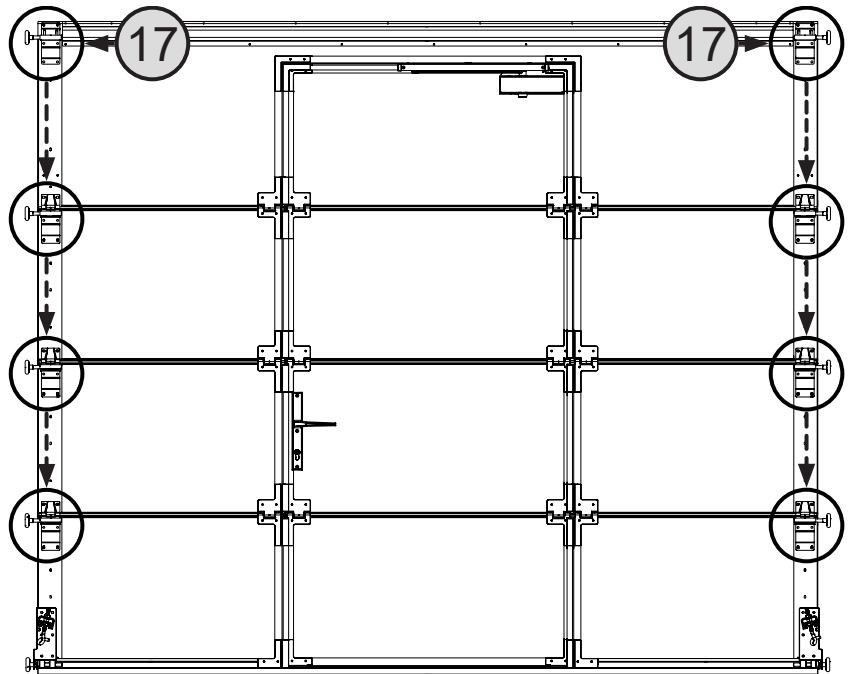
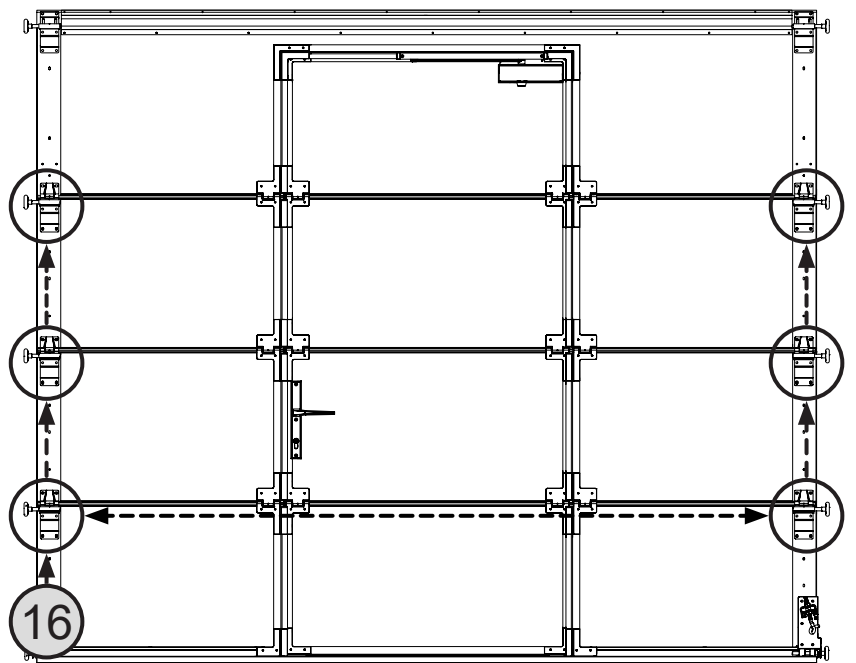
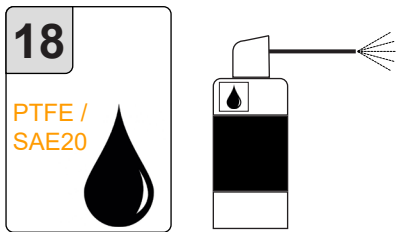
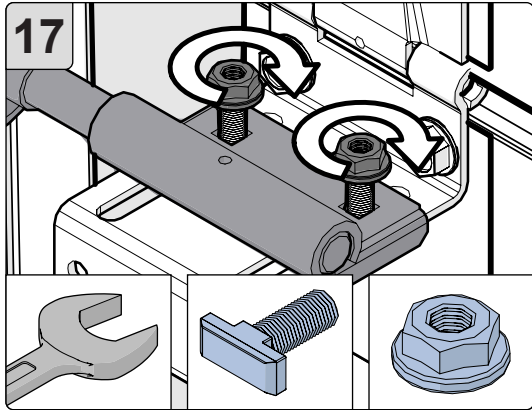
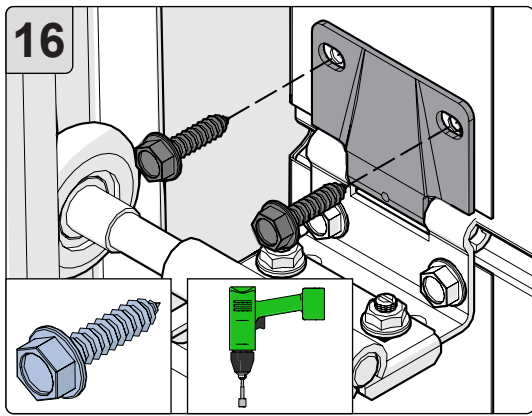


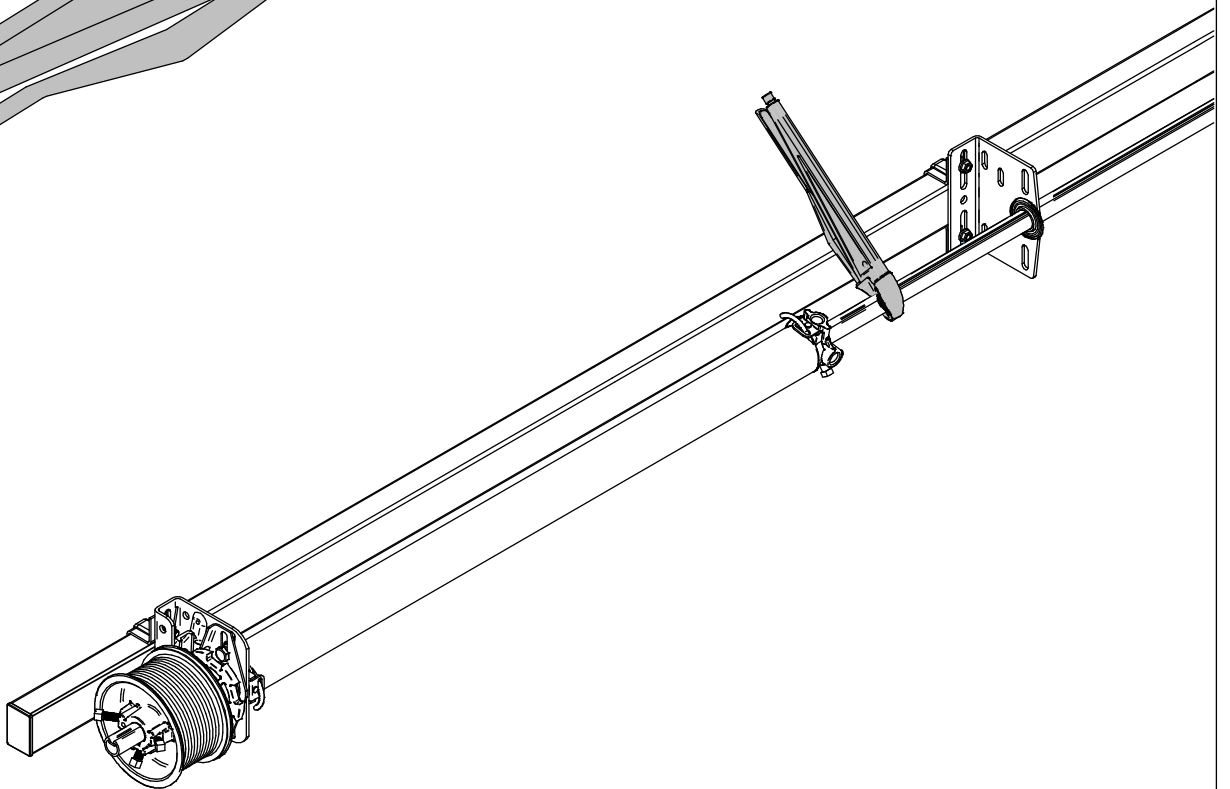
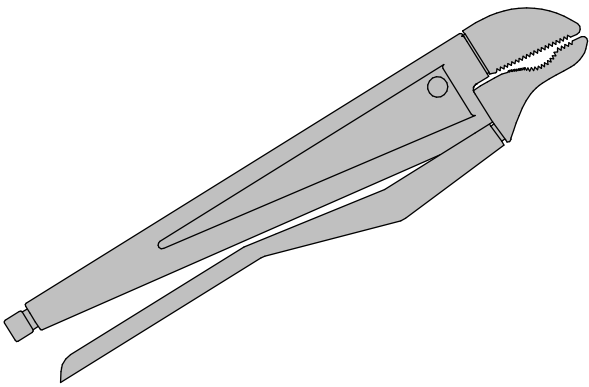
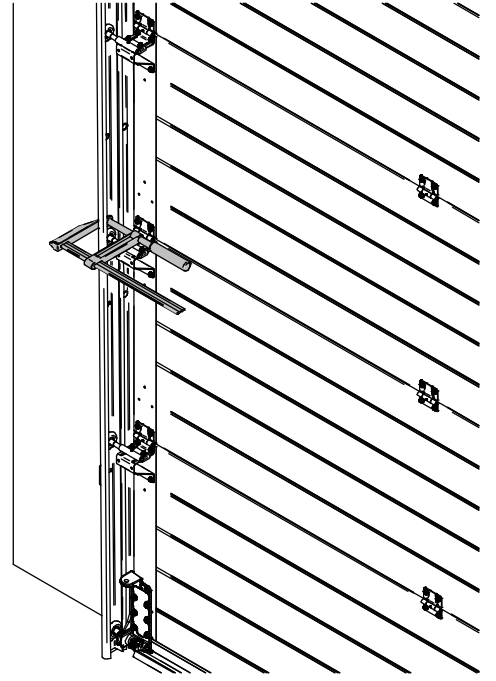
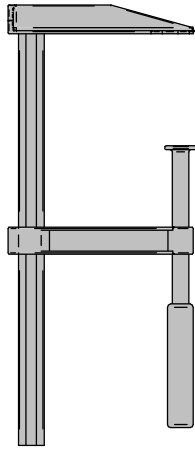
OPTION



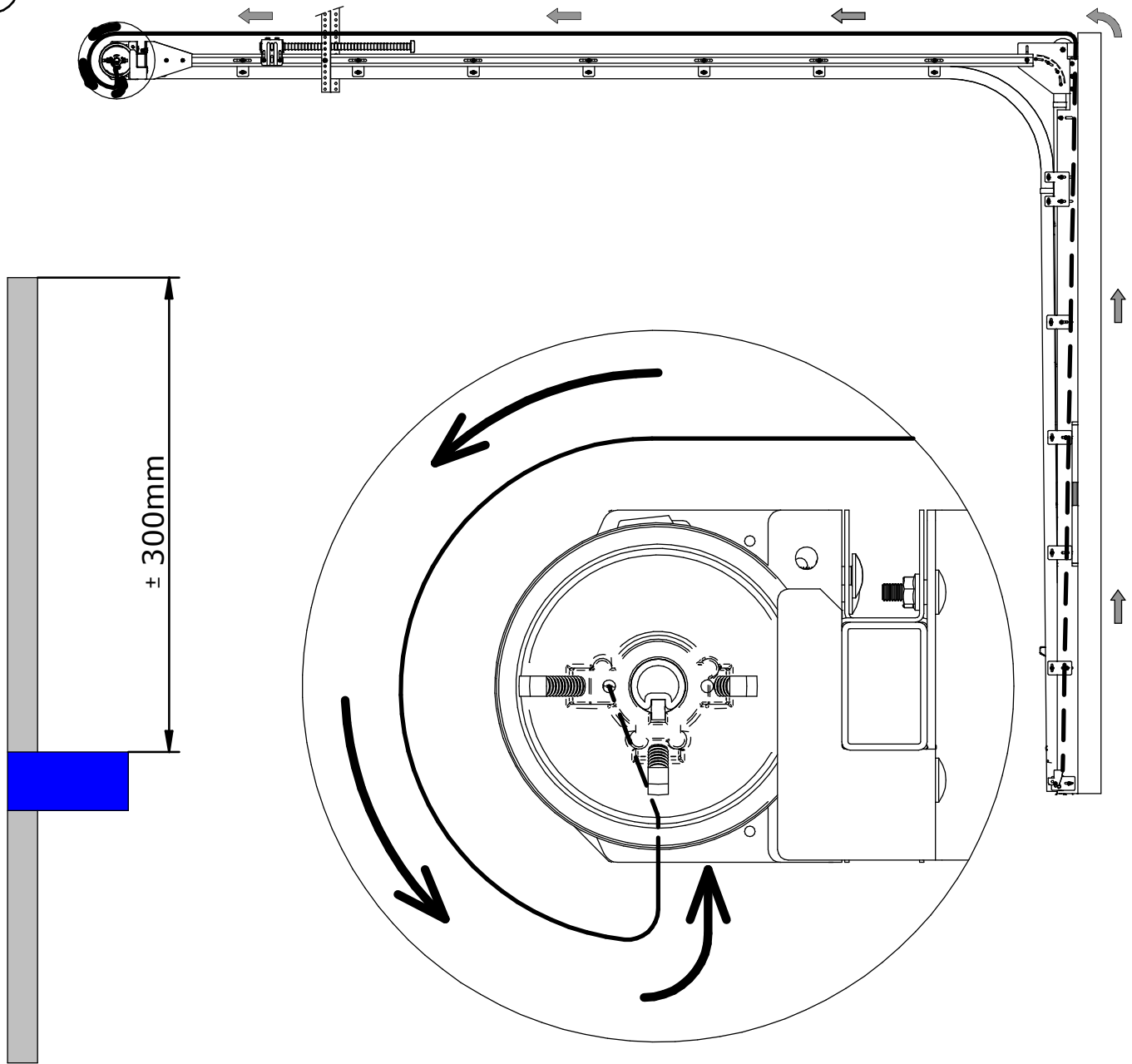




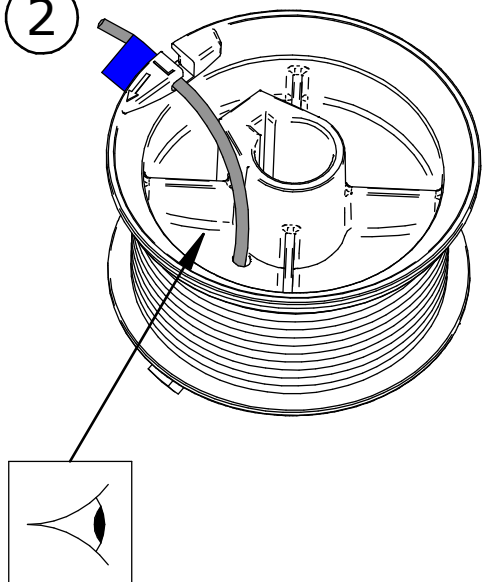




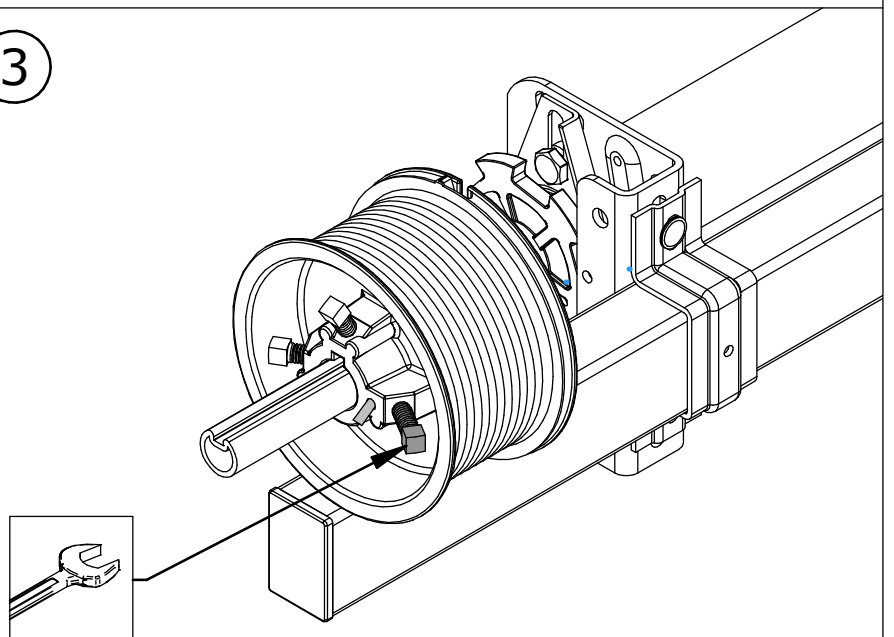
1



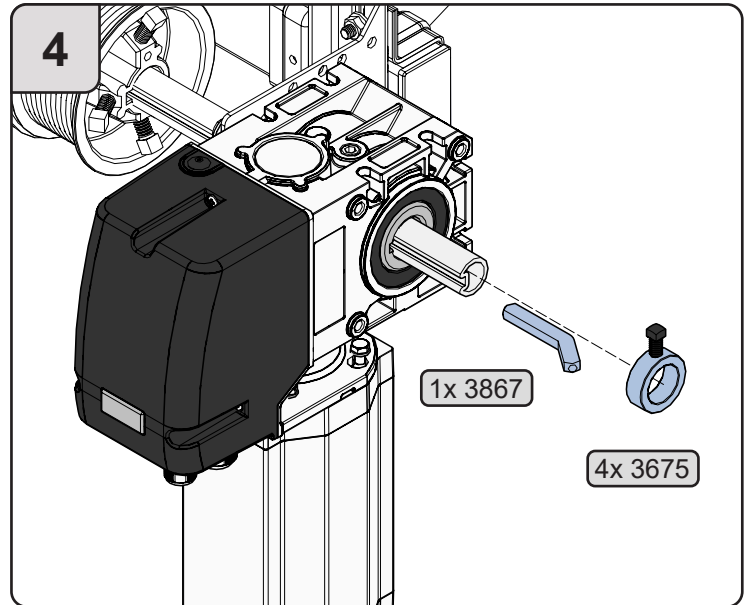
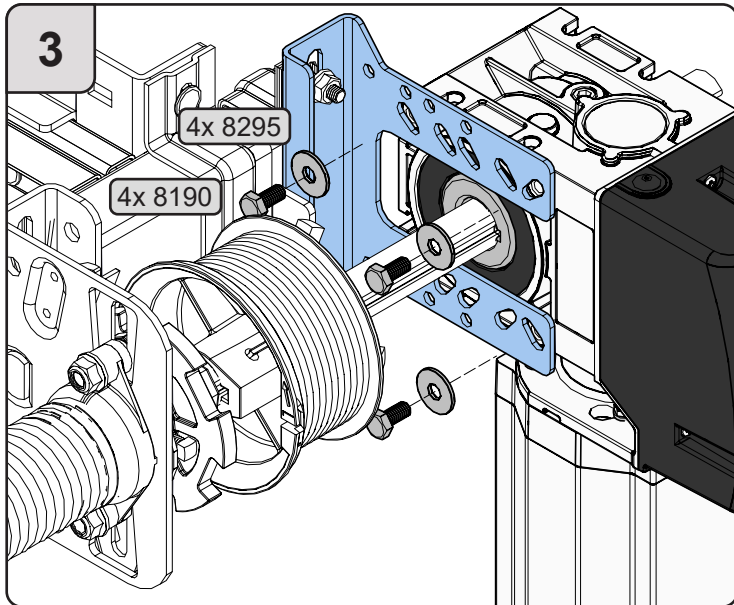
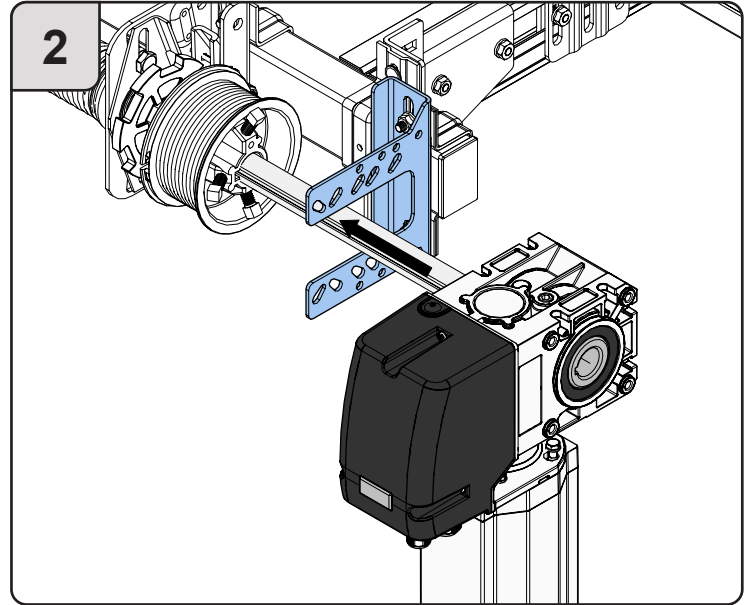
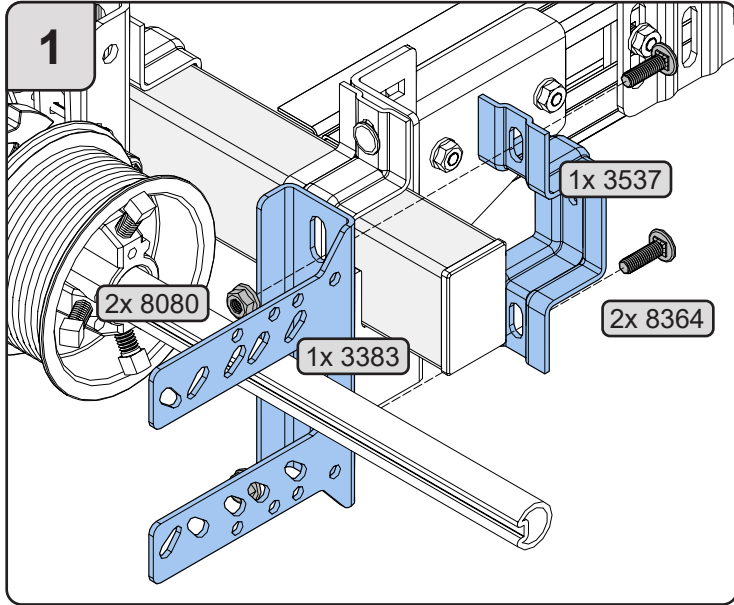
2



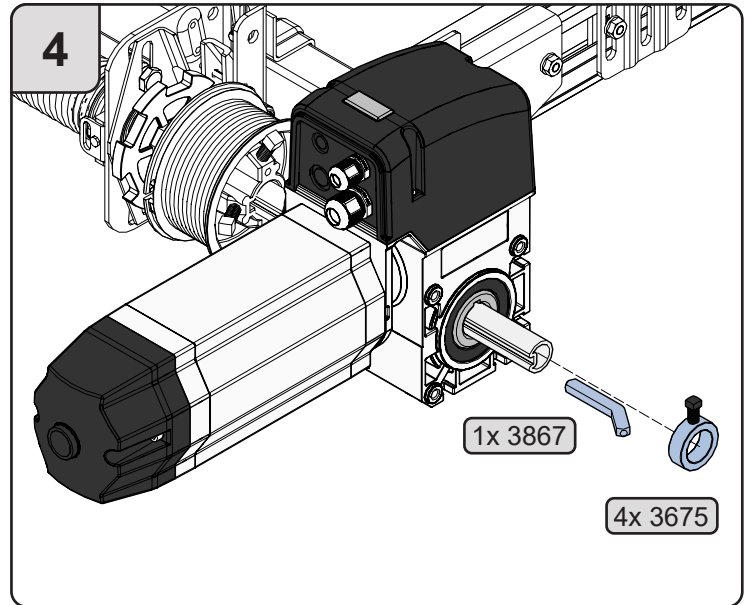
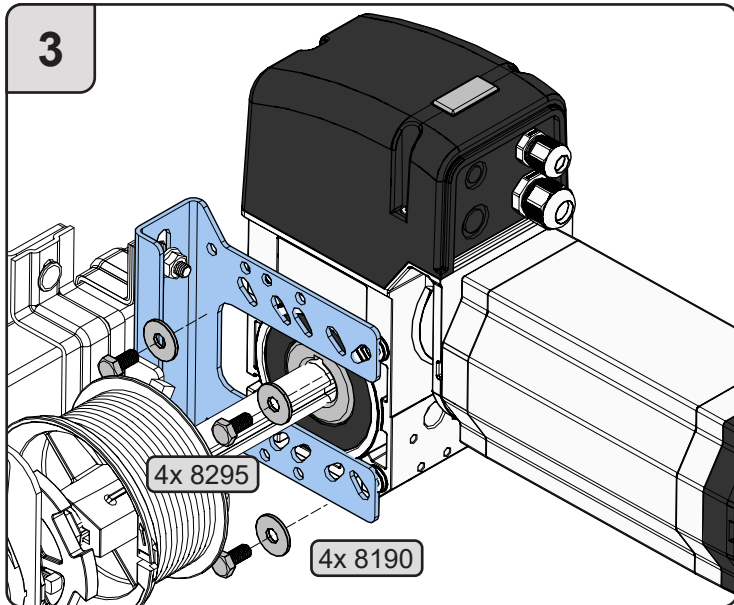
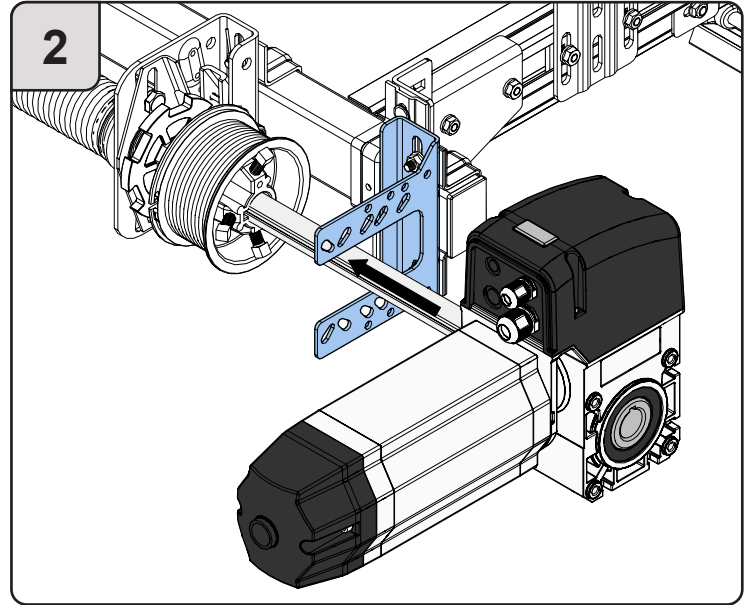
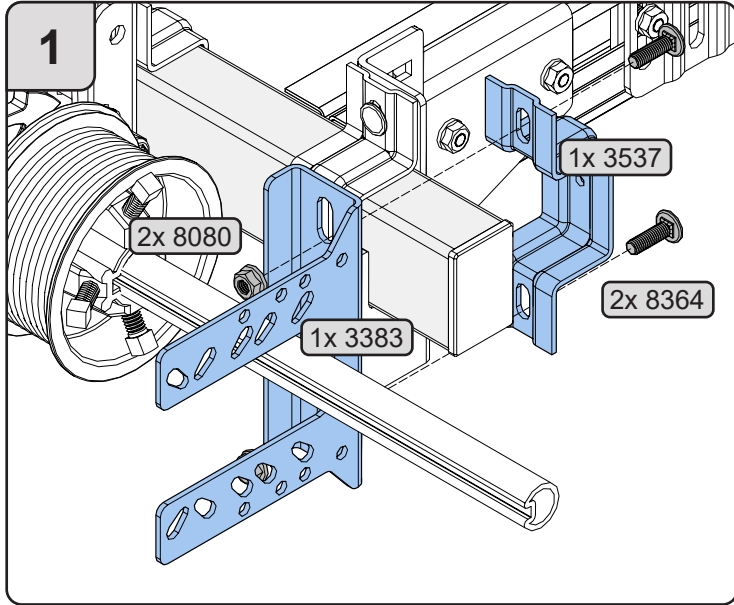
3



Option
Optie



Option
Optie



Turns x 360°

PW 12 Bon Hardware Industrie

Pitch Hilift

E

Aant Deurtype DMB DMH Secties Velden Beslag Gewicht Turns

0 0

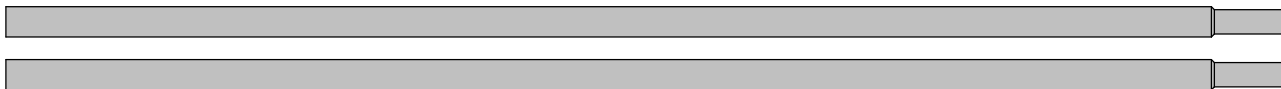
Klant
Klant referentie:
Transport

11.4

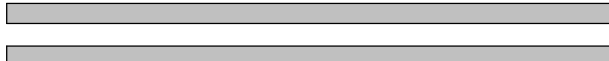


| Aant | Eenheid | Art. nr. | Artikel omschrijving | Doos | Lengte | Verpakt / Controle |
|------|---------|----------|--|------|--------|---|
| 1 | - | | Springs Left 6,00x51x950 Powdercoated | | | <input type="checkbox"/> <input type="checkbox"/> |
| 1 | - | | Springs Right 6,00x51x950 Powdercoated | | | <input type="checkbox"/> <input type="checkbox"/> |

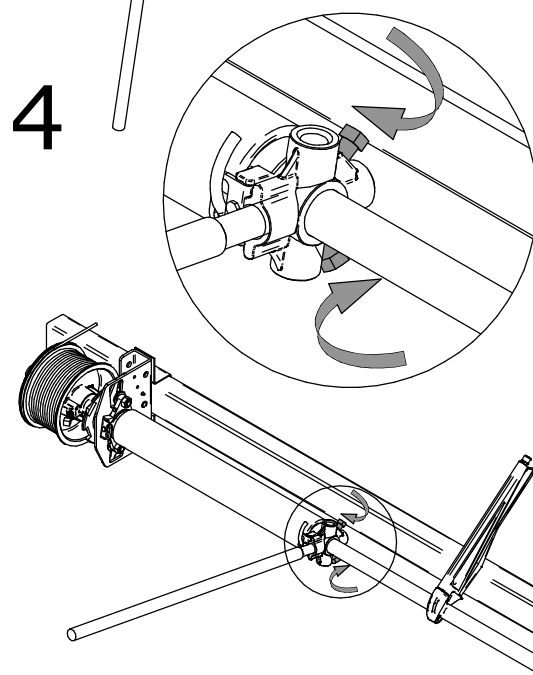
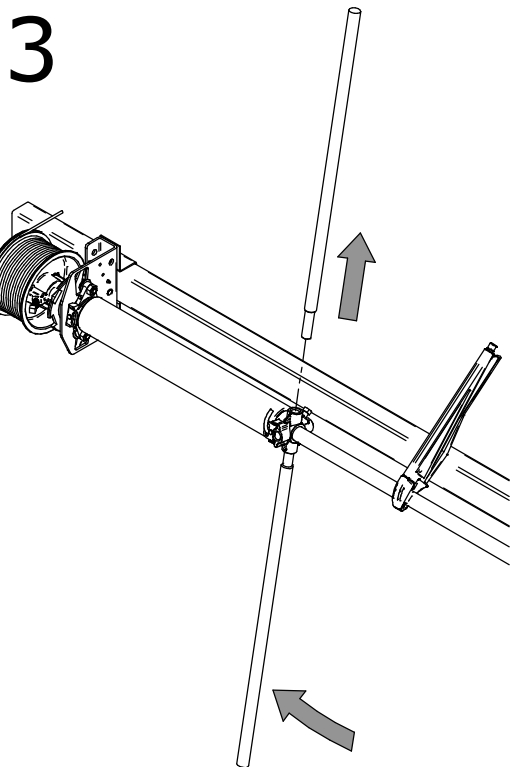
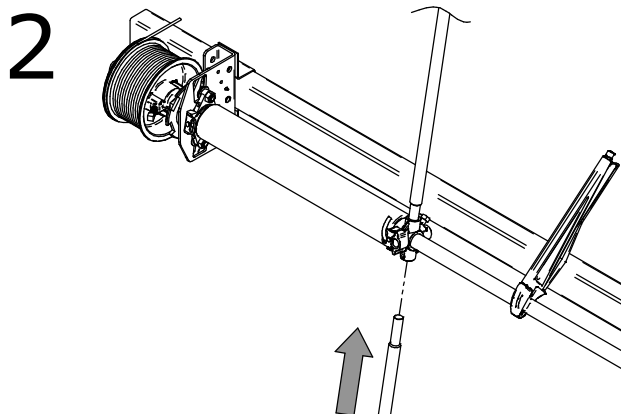
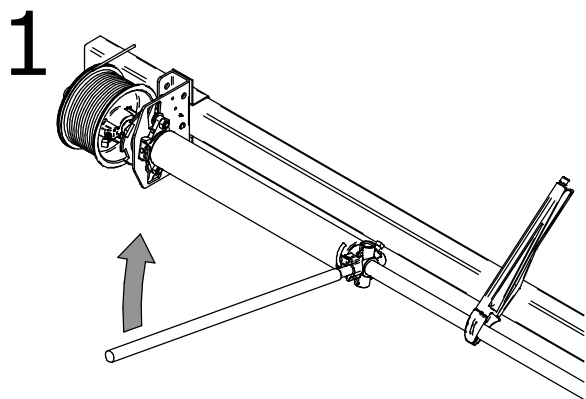
VEER / FEDER / SPRING / RESSORT < 152 mm



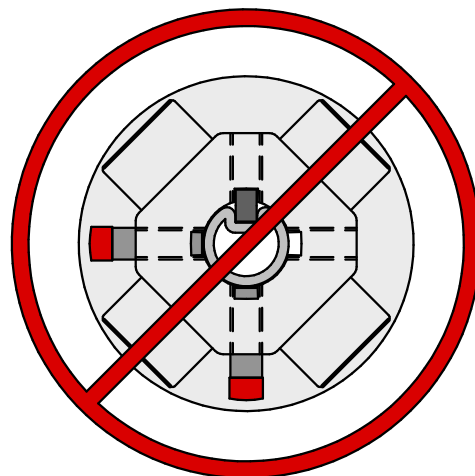
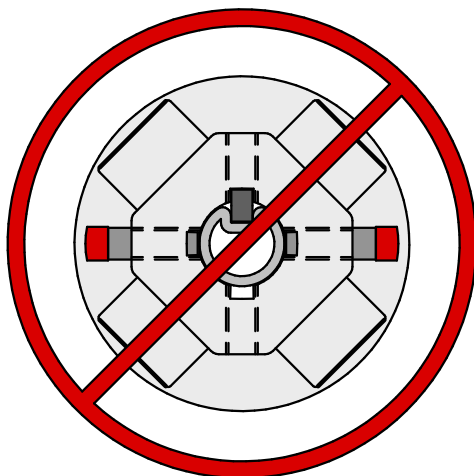
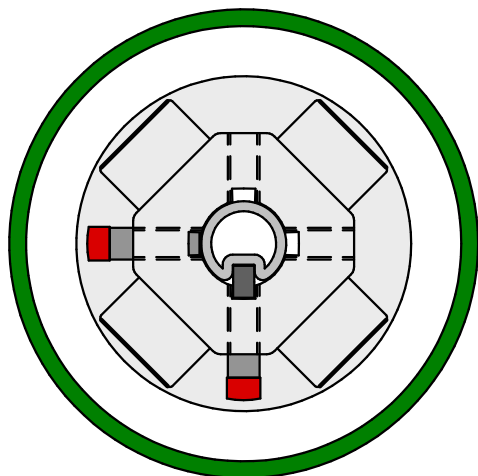
VEER / FEDER / SPRING / RESSORT < 67 mm

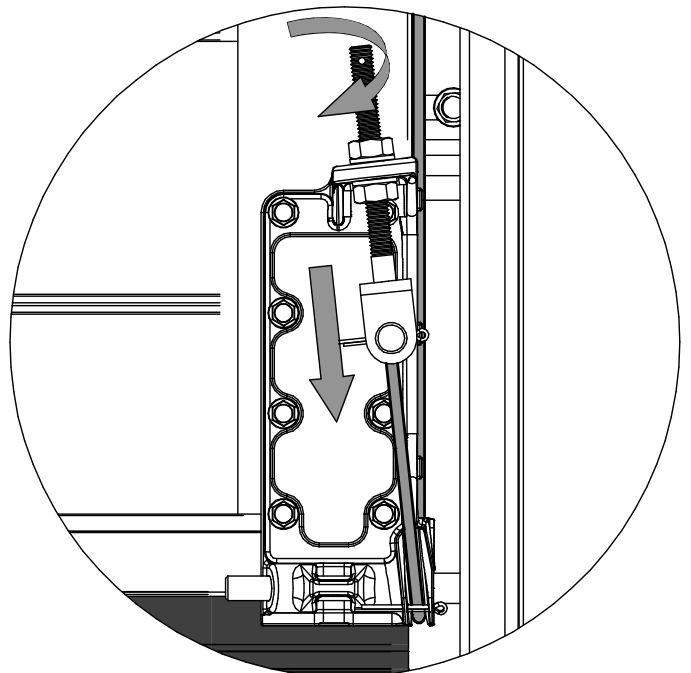
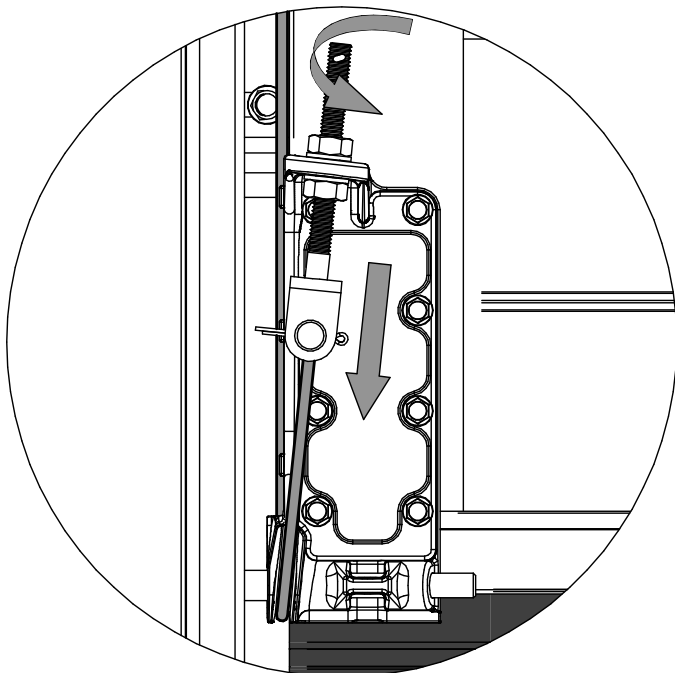
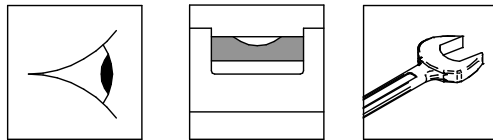
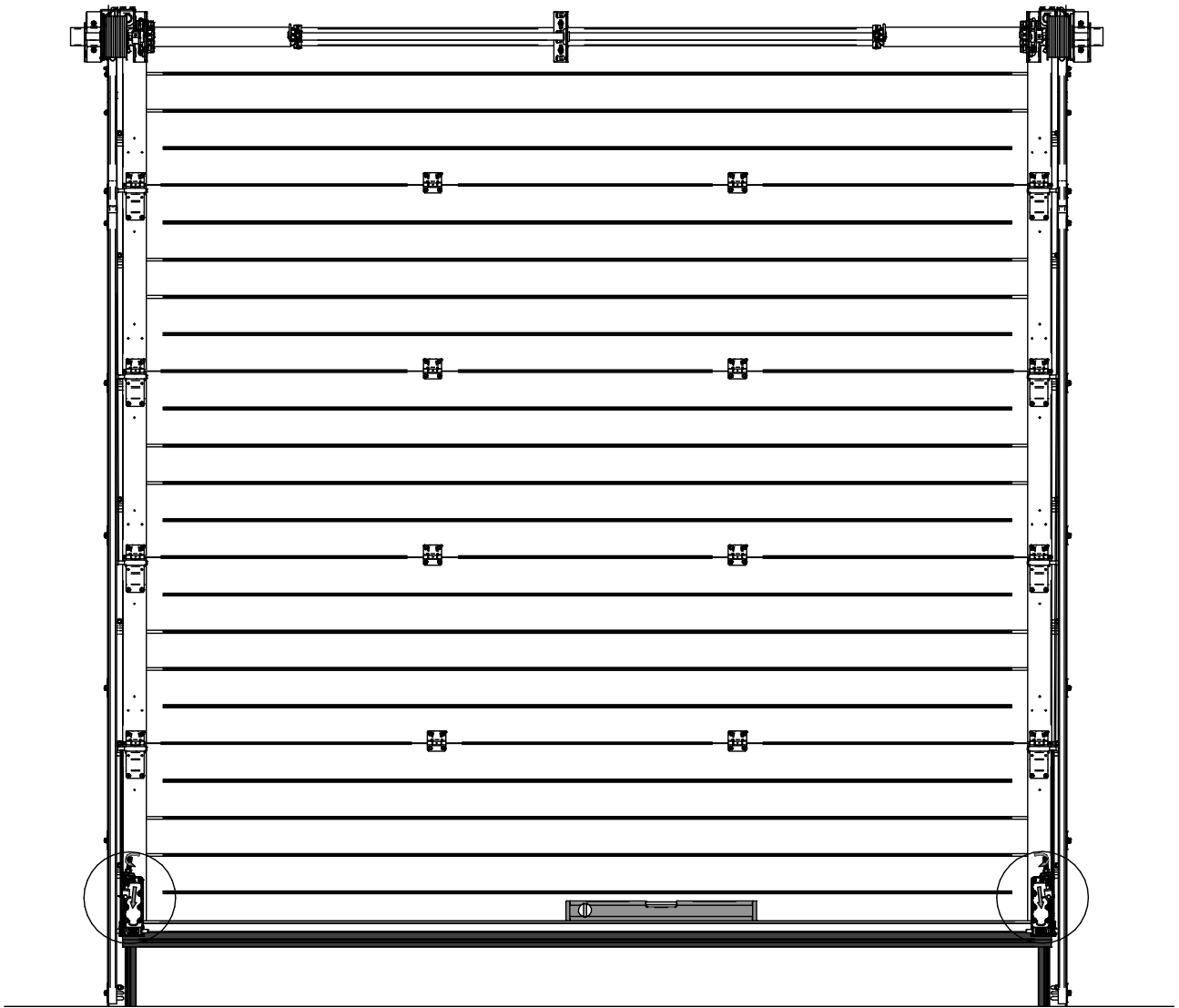


STAAL / STAHL / STEEL / ACIER 52

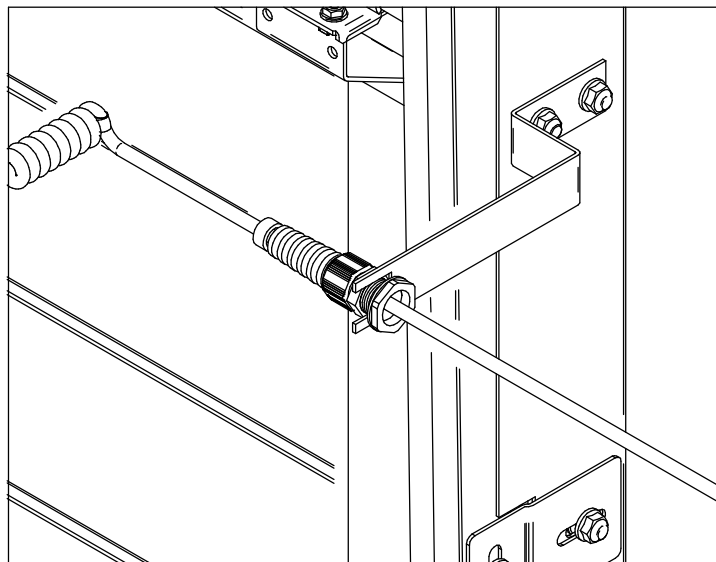
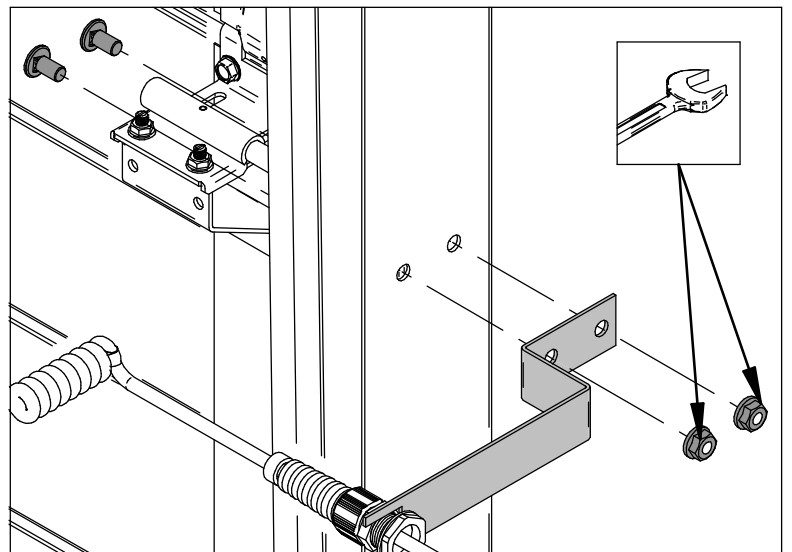
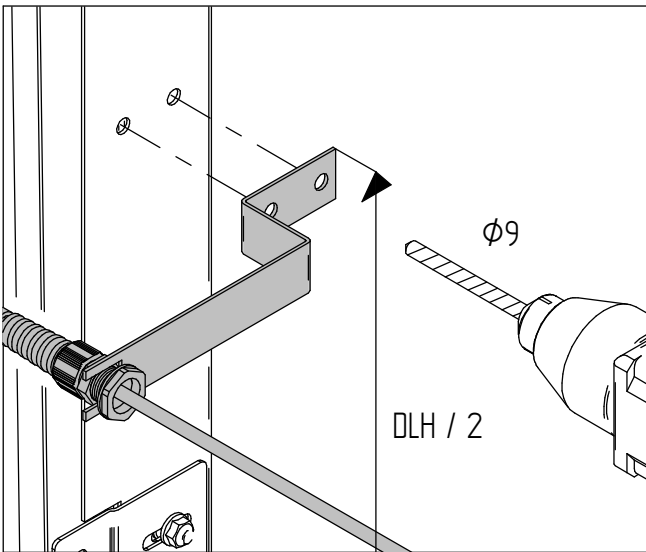
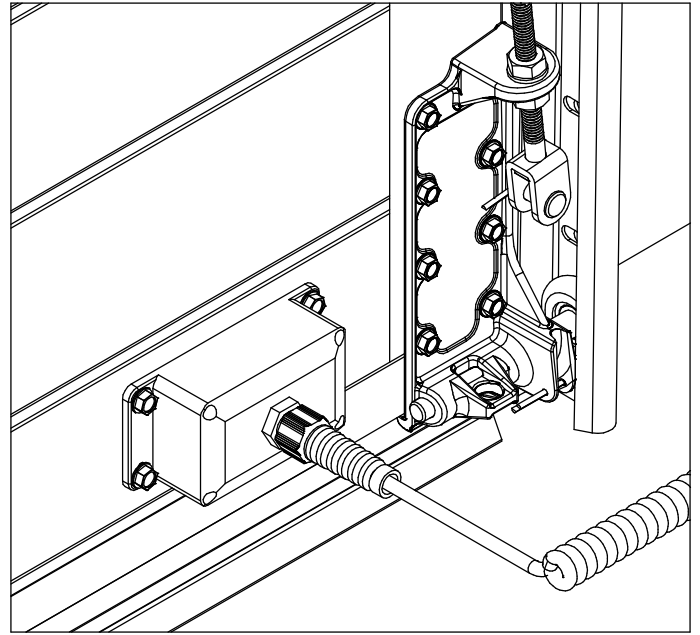
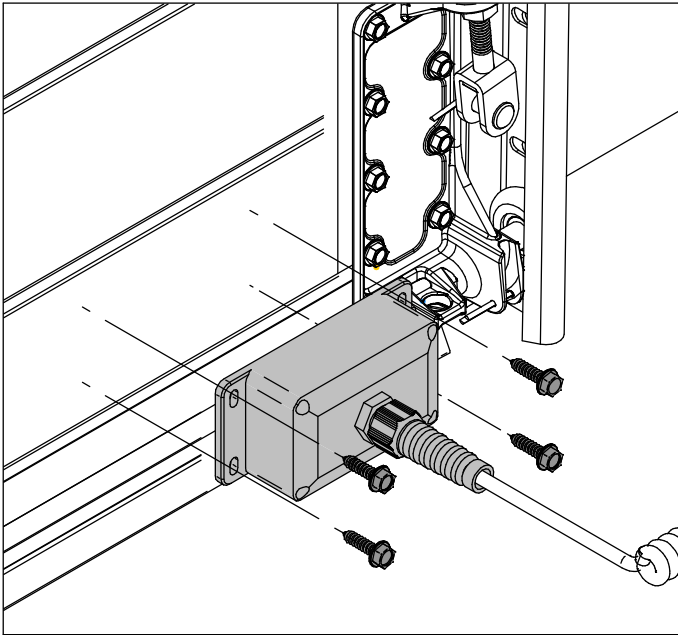


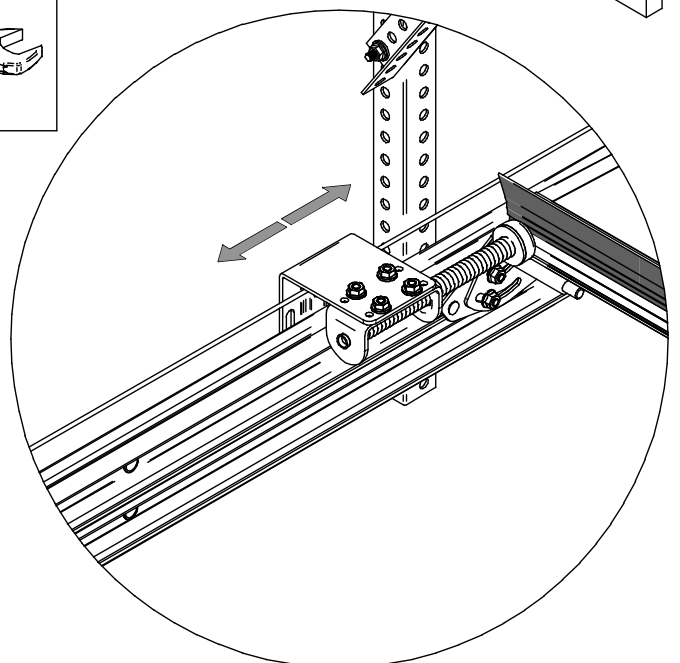
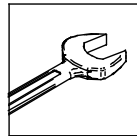
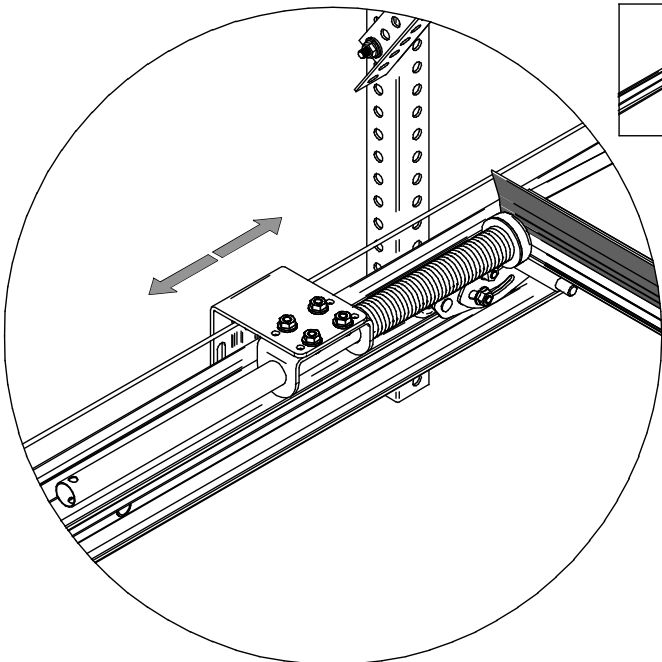
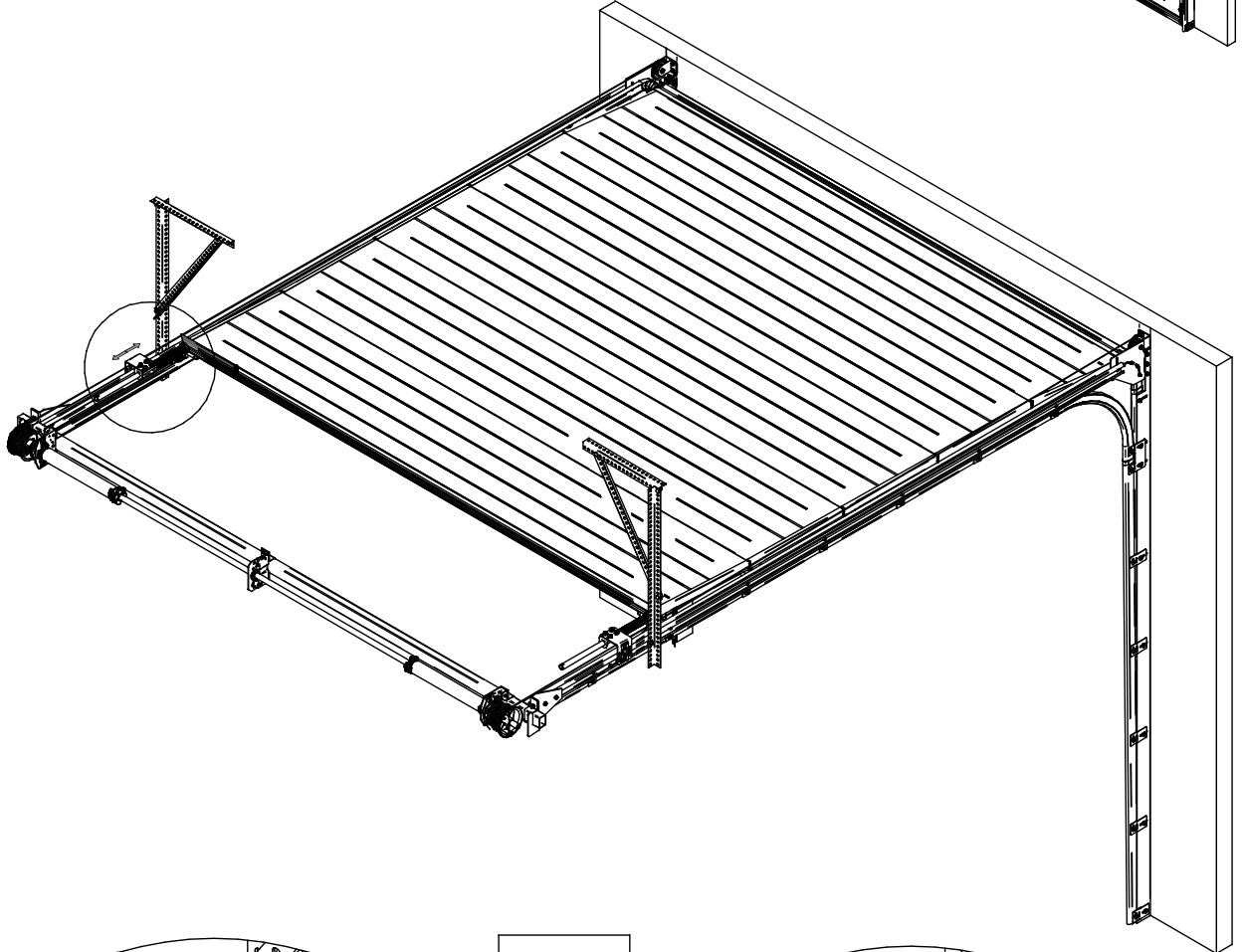
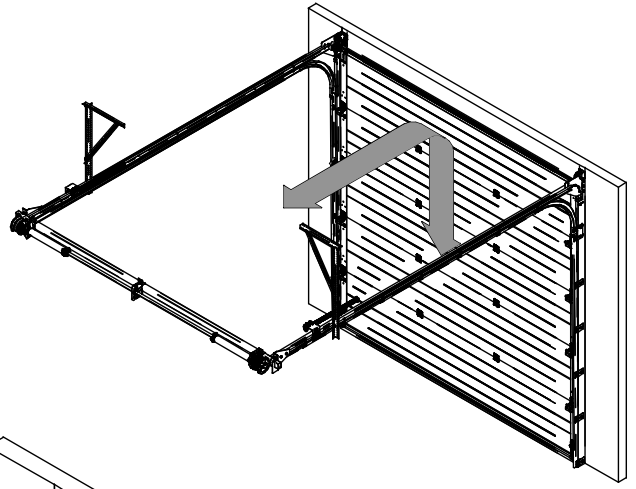
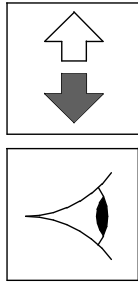
NL: Correcte wijze vastzetten van spankop
EN: Correct fastening of winding plug
DE: Richtige montage Feder spannkopf
FR: Fixation correcte du mandrin de tension



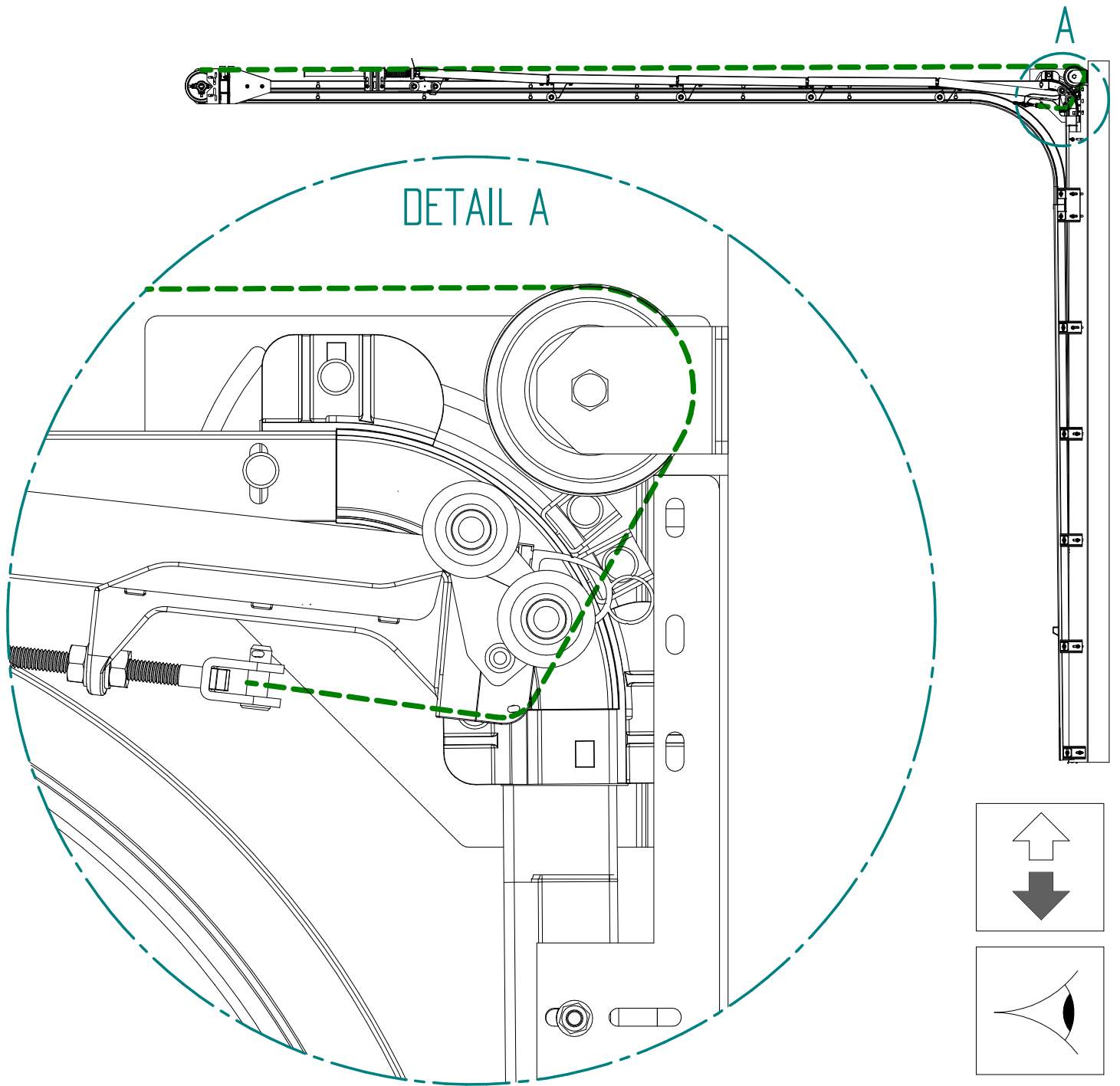


Option Optie

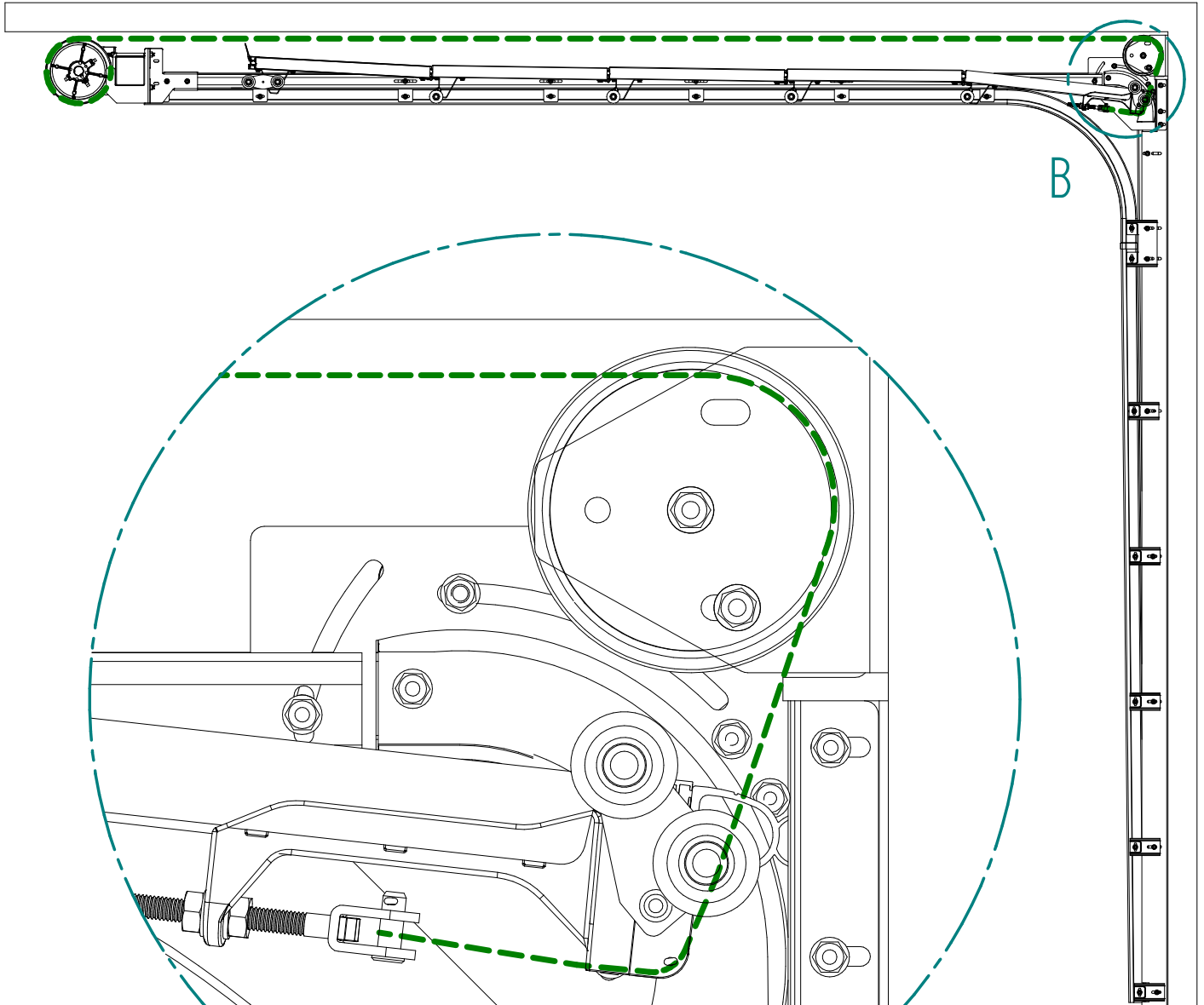




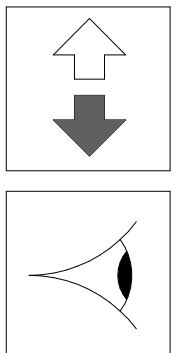
LS200

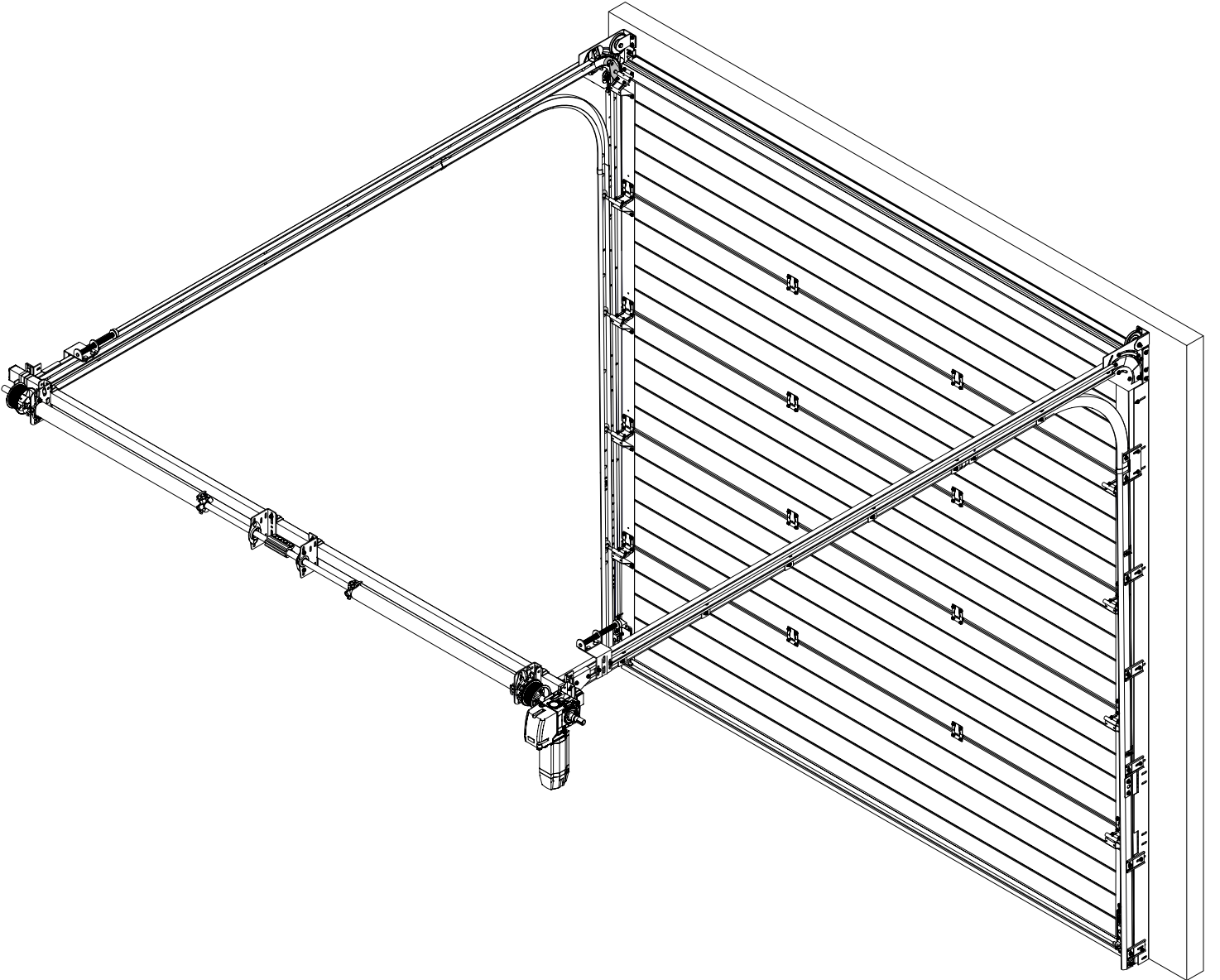


LS250

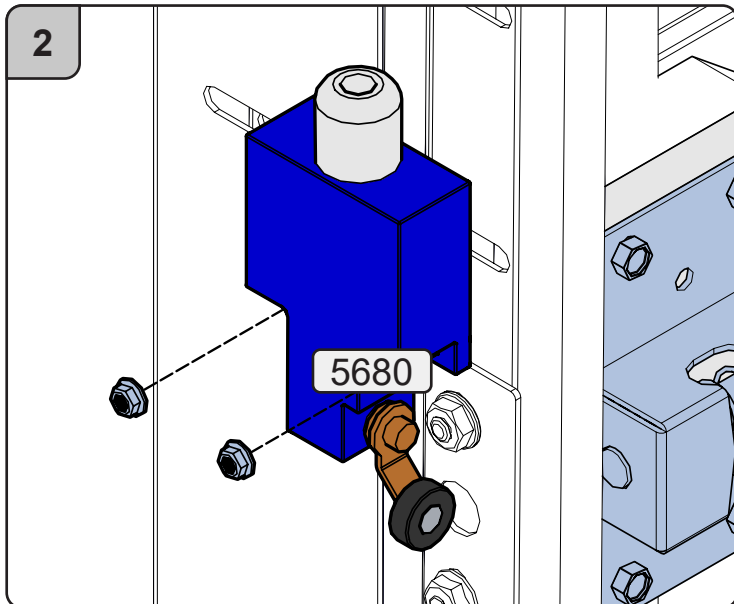
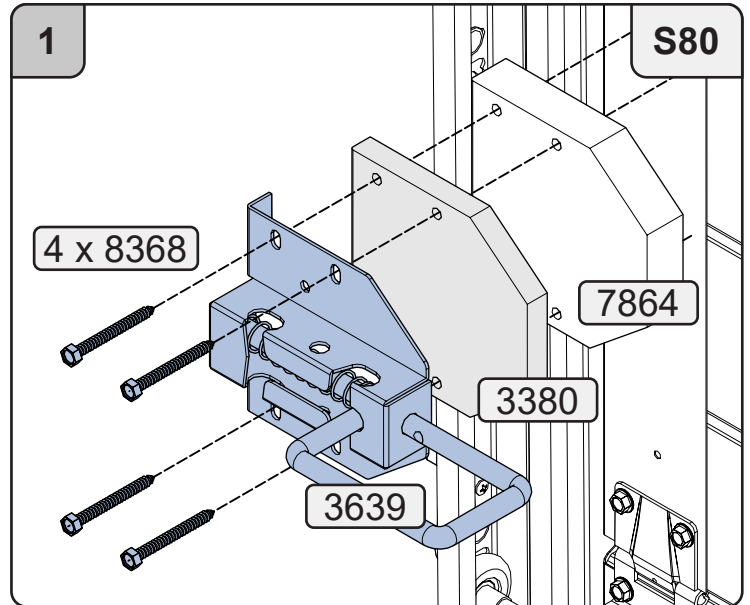
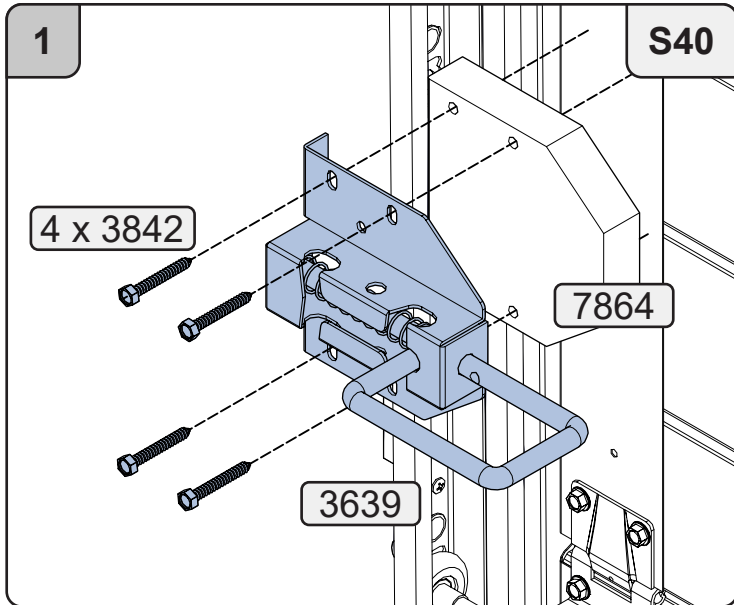


DETAIL B

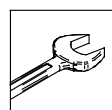
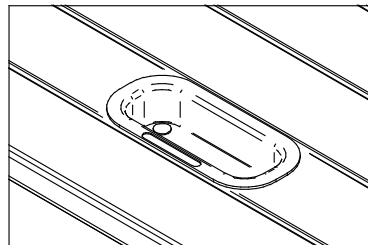
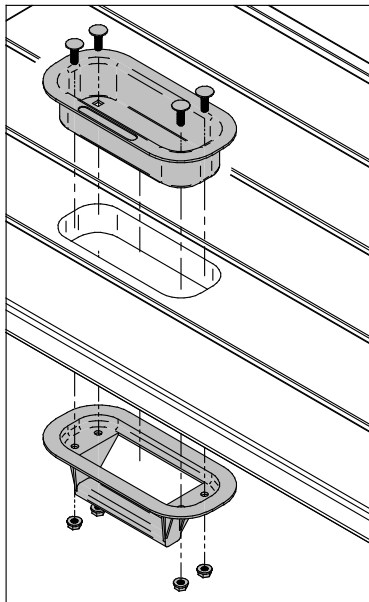




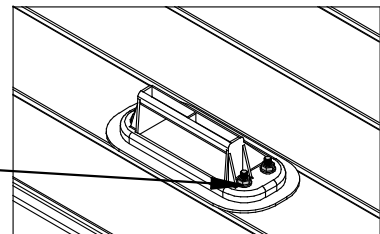
Option 3639



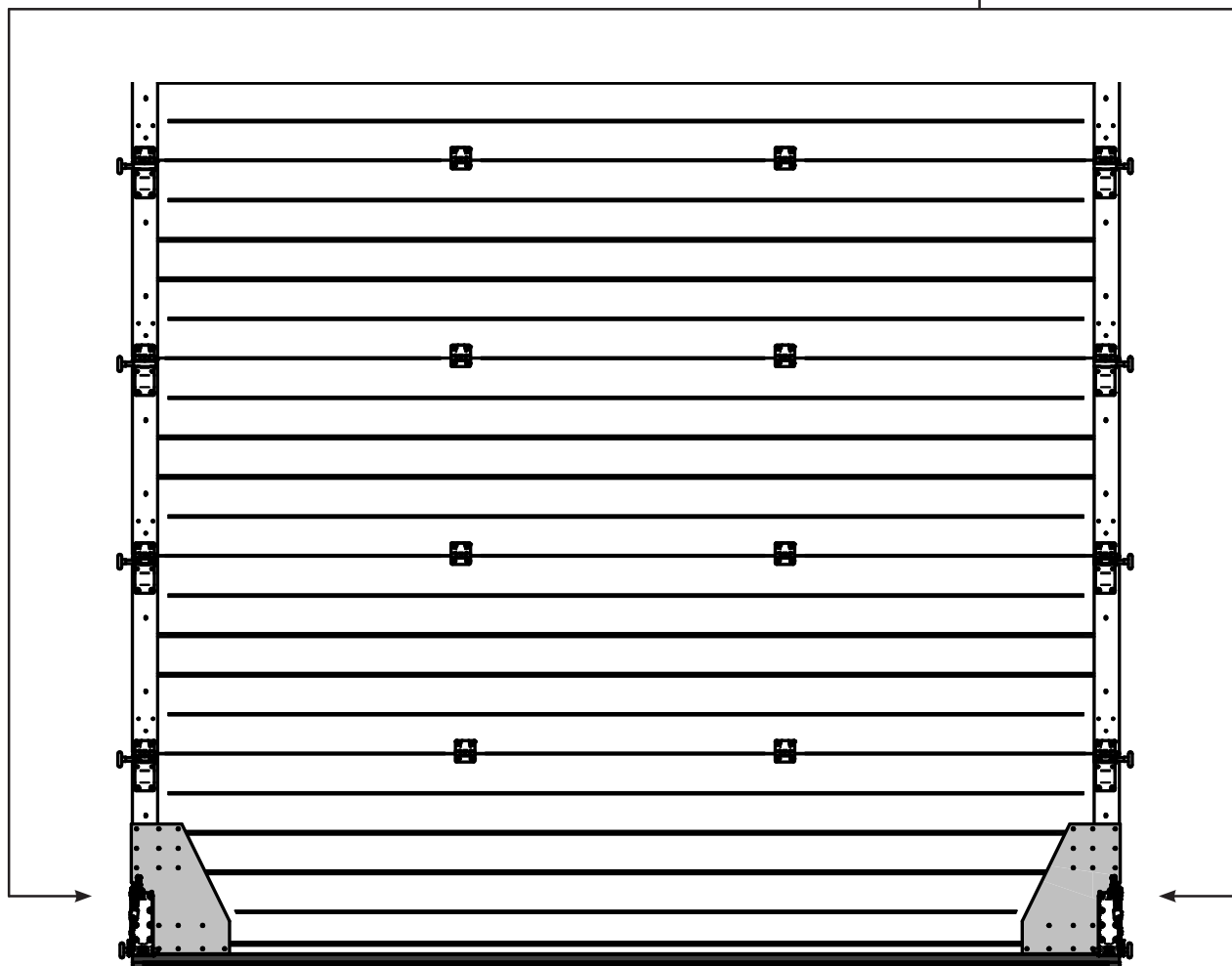
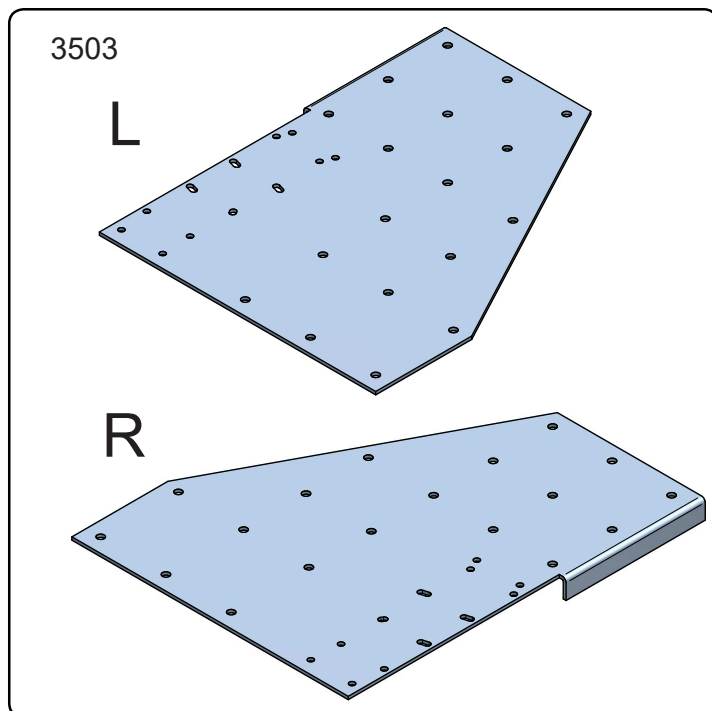
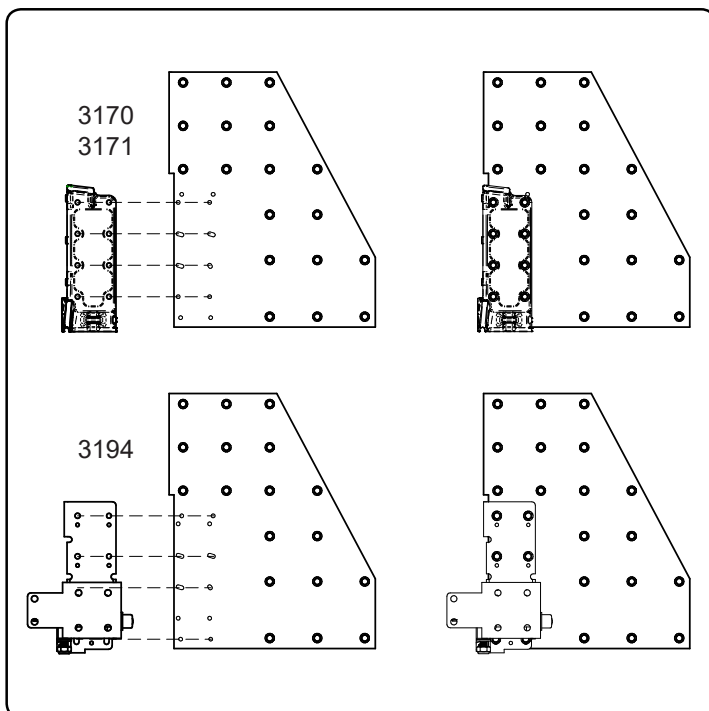
Option 3850



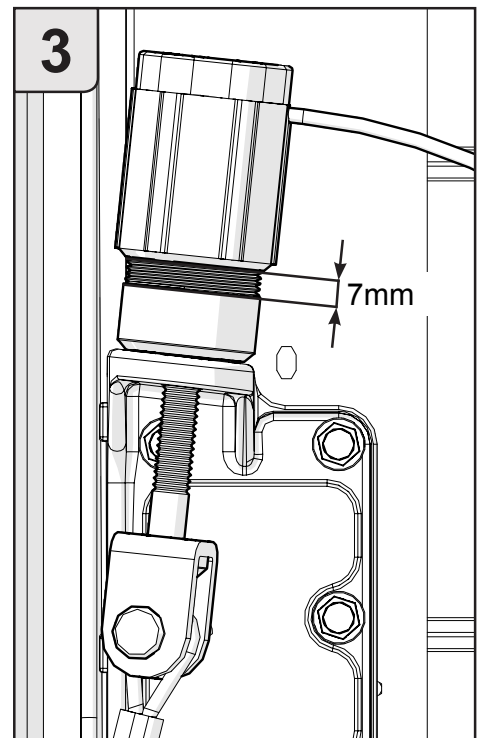
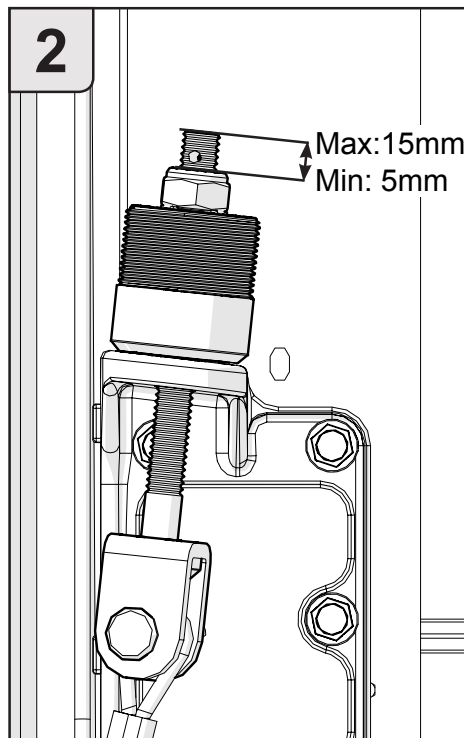
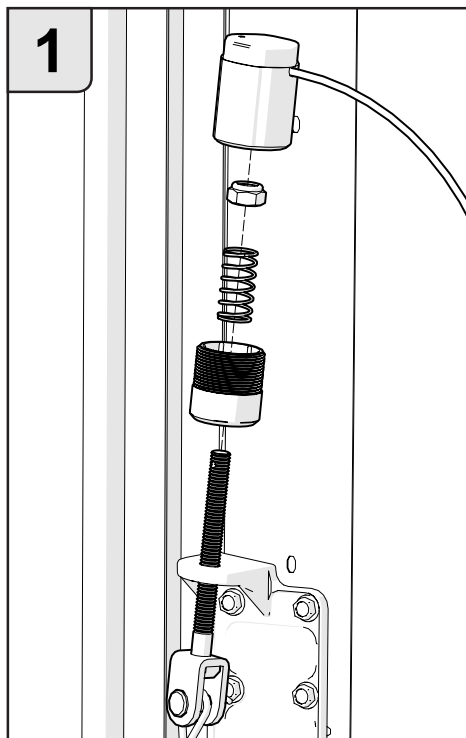
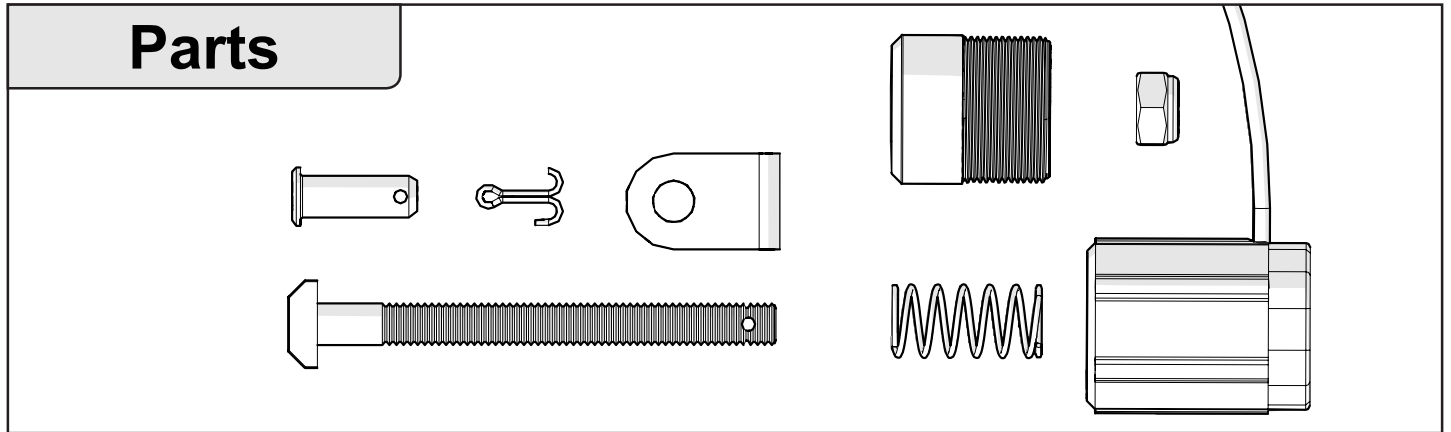
4x



Option Optie

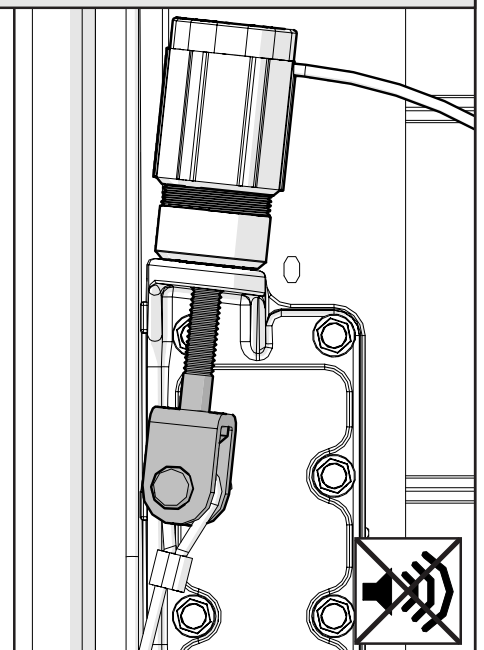
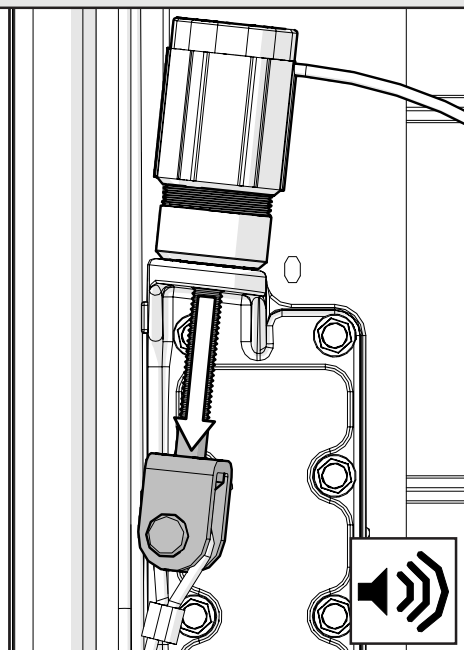
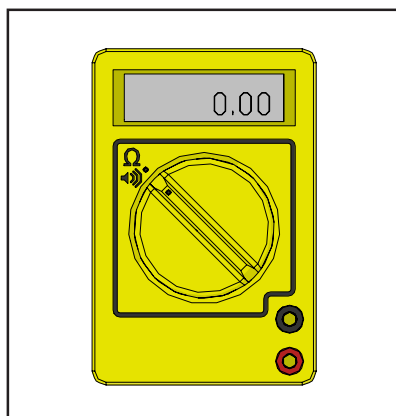


Option SCD

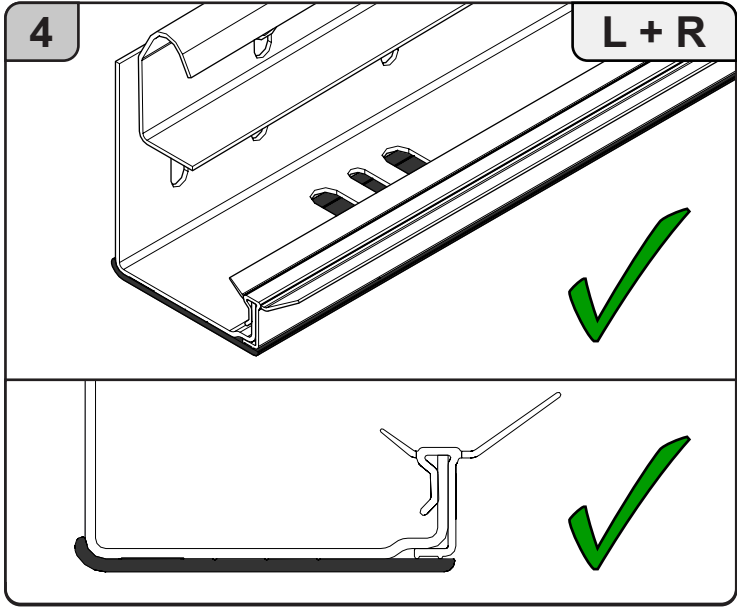
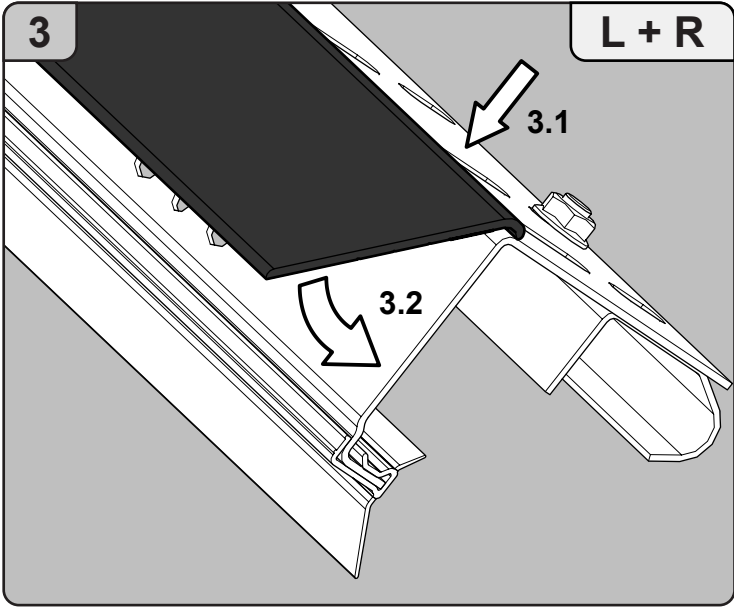
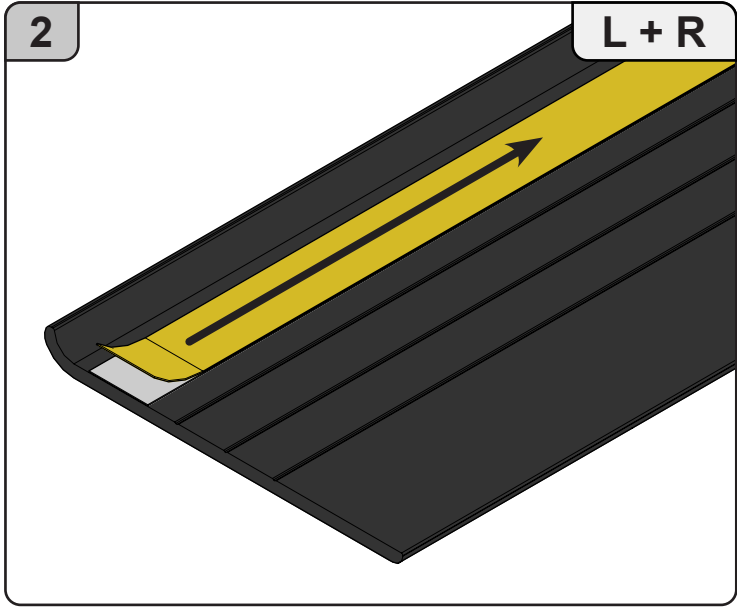
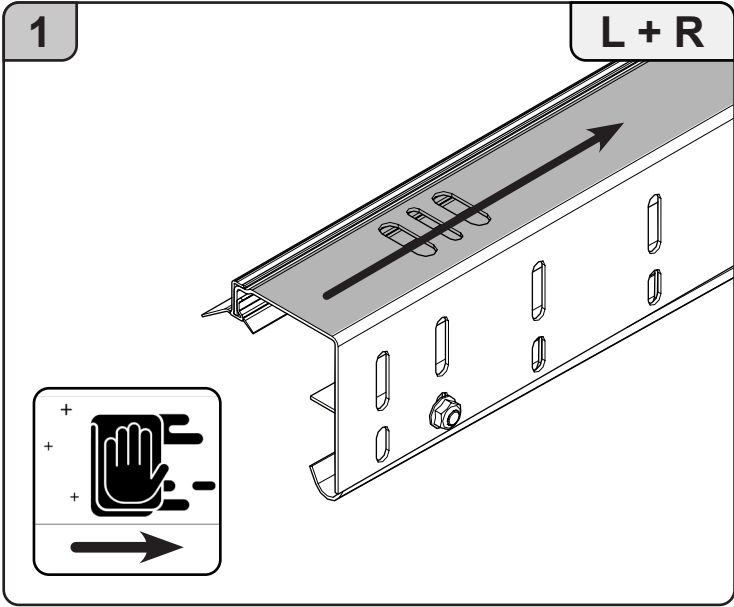


Check

NC-Switch



Option VA insulator 9607



S80 +
Loopdeur
Passdoor
Schlupftür
Portillon

